

Ref. : EV 1144.pas

Rev. : Initial

Date : 04/05/2015

Page : 1/1

PILOT OPERATED (NC) SOLENOID VALVE FOR WATER

EV 1144



APPLICATION

General use : for the shut off of clean and non aggressive fluids.

GENERAL CHARACTERISTICS

Range : from DN 1/2" to DN 1"
Pilot operated solenoid valve 2/2 with diaphragm.
Normally closed operating with differential pressure 0.3 bar.
Installation on the horizontal pipe.

Voltage:

Alternative (12 - 24 - 48 - 110 - 230 - 400 V)

Frequency (50Hz - 60Hz)

Continuous (12 - 24 - 48 - 110 V)

CONSTRUCTION

15	Lock nut	Zinc plated steel
14	Washer	Zinc plated steel
13	Coil	PBT + 30% glass fibers
12	Guiding tube	Stainless steel AISI 430
11	Plunger	Stainless steel AISI 430
10	Spring	Stainless steel AISI 430
9	Support	Stainless steel AISI 303
8	Seal	NBR
7	Spring	Steel
6	Screw	Stainless steel
5	Cover	Brass EN CW 617 N
4	Spring	Steel
3	Diaphragm	NBR
2	Guide	Brass
1	Body	Brass EN CW 617 N
Pos.	Description	Material

DIMENSIONS

DN		A	B	C	D	Weight (kg)
mm	inch					
15	1/2"	61	89	48	77	0.6
20	3/4"	87	101	69	84	1
25	1"	100	106	80	86	1.2

WORKING CONDITIONS

Maximum working pressure : 10 bar

Maximum working temperature : + 80°C

Possibly diaphragm in EPDM (+ 110°C) or FPM (150°C).

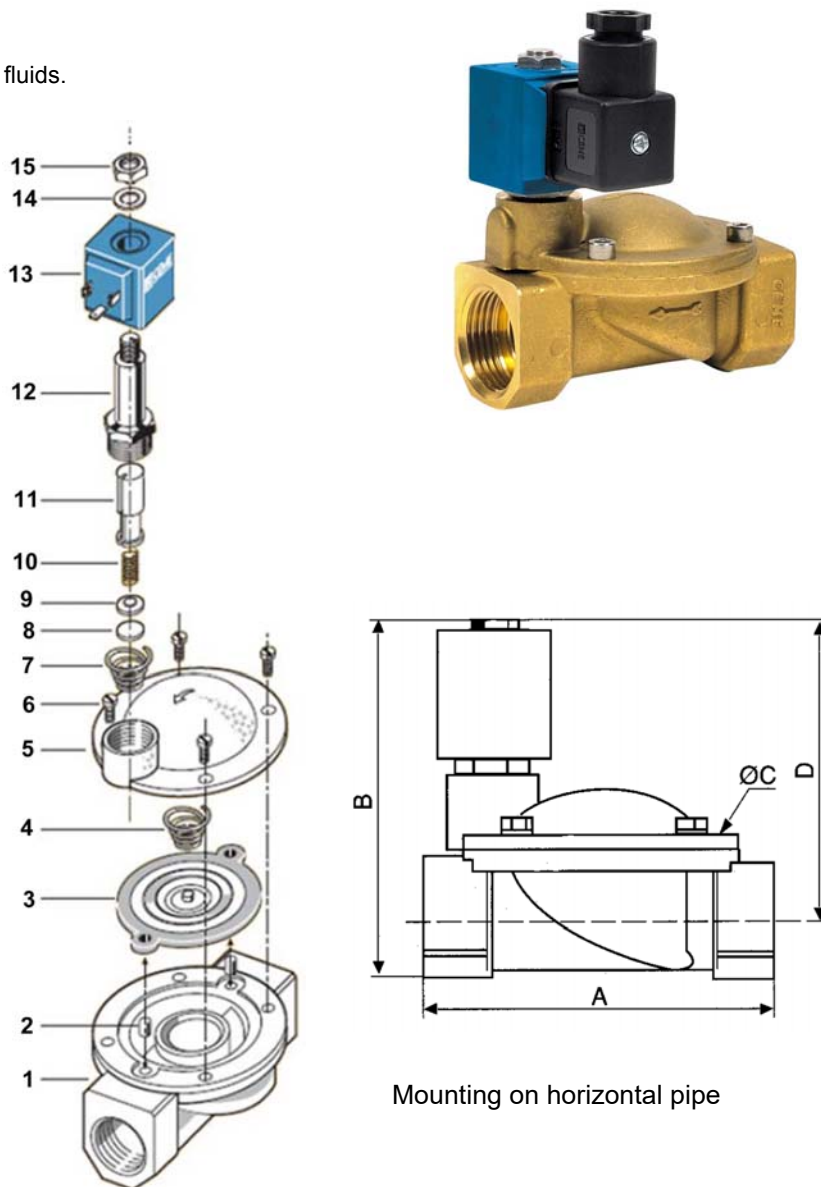
Note: In direct current over 40°C, the differential pressure can be reduced.

STANDARDS

Connection BSP gaz according to ISO 228.

Coil classified H. Duty 100%.

Connecting by connector T30.



Mounting on horizontal pipe

Pressure loss diagram

