

Ref. : EV1110.pas

Rev. : D

Date : 19/12/2014

Page : 1/1

NC DIRECT ACTING SOLENOID VALVE

EV 1110



Tecofi
VALVE DESIGNER - FRANCE

APPLICATION

General use : water, air, non-aggressive fluids.

GENERAL CHARACTERISTICS

Mini differential pressure : 0 bar

Voltage :

Alternative current (12-24-48-110-230 V).

Direct current (12-24-48-110 V).

CONSTRUCTION

5		Internal parts	Stainless steel	
4	1	Diaphragm	NBR on standard	
3	1	Solenoid		
2	1	Bonnet	Brass CuZn40Pb2	DIN: CuZn40Pb2 ASTM: B124 C37700 BS: 12164 CZ122
1	1	Body	Brass CuZn40Pb2	DIN: CuZn40Pb2 ASTM: B124 C37700 BS: 12164 CZ122
Pos.	Qty.	Description	Material	



DIMENSIONS

DN		L	H	Weight (kg)
mm	inch			
10	3/8"	61	105	0,68
15	1/2"	61	105	0,66
20	3/4"	100	110	1,10
25	1"	100	116	1,20
32	1 1/4"	146	200	5,20
40	1 1/2"	146	200	5,00
50	2"	174	216	6,50

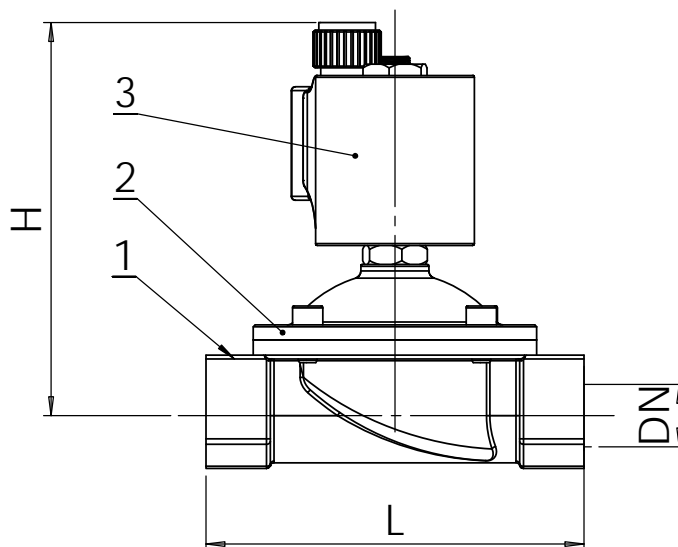
WORKING CONDITIONS

Maximum working pressure : 10 bar.

Maximum temperature : +80°C.

AGREEMENT AND STANDARDS

BSP threaded according to standard ISO 228-1.



Mounting on horizontal pipe