

FEMALE/FEMALE THREADED PRESSURE REDUCTING VALVE

APPLICATION

The pressure reducing valve is used in fluid transfer networks to reduce and stabilize the pressure to an adjustable set point.



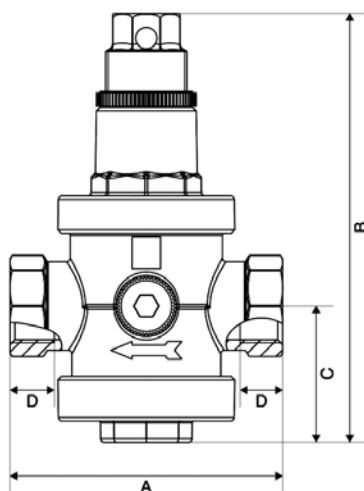
Fluids: water, waste water, non compressible compatible liquids.

GENERAL CHARACTERISTICS

Range: from DN15 to DN50.

- Compact and reliable construction.
- Installation horizontal position.
- Operation Piston with compensated seat.
- Pressure gauge connections 1/4 " on both sides for controlling outlet pressure.
- Female / female threaded connections according to ISO 228 (equivalent to DIN EN ISO228 and BS EN ISO 228)

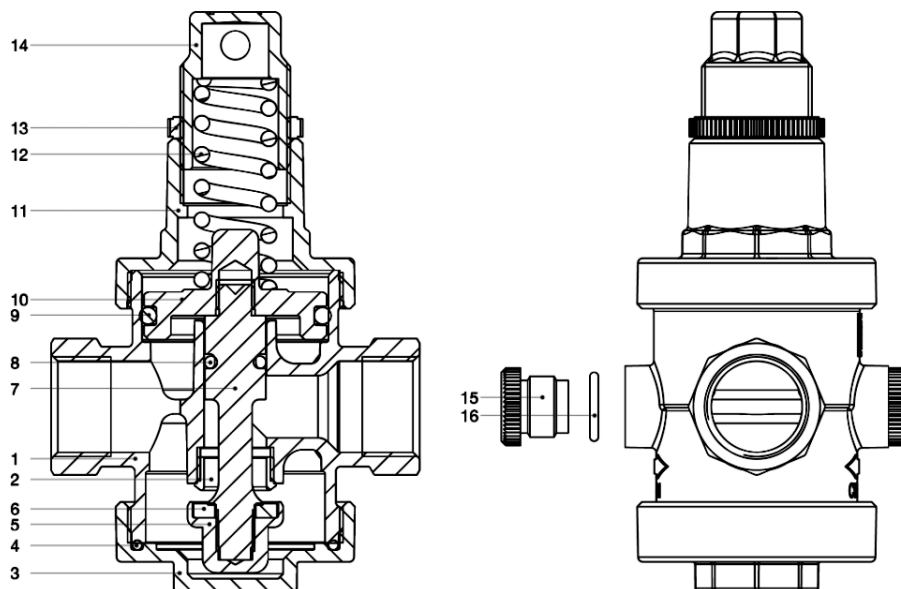
DIMENSIONS



DN		A	B	C	D	Weight (kg)
mm	inch					
15	1/2"	77	127	38.5	12	0.657
20	3/4"	85	124	38.5	12	0.706
25	1"	91	159	56	13	1.2
32	1 1/4"	118	220	68	18	2.28
40	1 1/2"	126	220	68	18	2.17
50	2"	142	248	86	20	3.162



CONSTRUCTION (1/2" - 1")



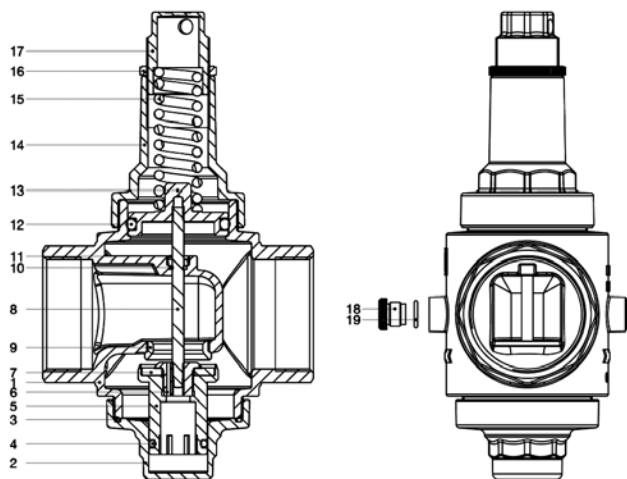
Pos.	Q-ty	Description	Material
1	1	Body	Nickel plated brass CW617N
2	1	Seat	Stainless steel AISI 303
3	1	Bottom plug	Nickel plated brass CW617N
4	1	O-ring	EPDM
5	1	Obturator	Brass CW614N
6	1	Flat gasket	EPDM
7	1	Stem	Brass CW614N
8	1	O-ring	EPDM
9	1	O-ring	EPDM
10	1	Diaphragm	Brass CW614N
11	1	Upper cap	Nickel plated brass CW617N
12	1	Spring	EN 10270-1 DH
13	1	Ring	Polymere
14	1	Spring compressor	Brass CW614N
15	2	Plug	Polymere
16	2	O-ring	EPDM

Tecofi France

83 rue Marcel Mérieux - 69960 Corbas
 Tél. +33 (0)4 72 79 05 79 - Fax. +33 (0)4 78 90 19 19
 E-mail : sales@tecofi.fr - www.tecofi.fr



CONSTRUCTION (1"1/4 - 2")



Pos.	Q-ty	Description	Material
1	1	Body	Nickel plated brass CW617N
2	1	Bottom plug	Nickel plated brass CW617N
3	1	O-ring	NBR
4	1	O-ring	NBR
5	1	Obturator	Brass CW614N
6	1	Anti-extrusion ring	Brass CW614N
7	1	Flat gasket	NBR
8	1	Tige	Stainless steel AISI 303
9	1	Seat	Stainless steel AISI 303
10	1	O-ring	NBR
11	1	Anti-extrusion ring	Brass CW625N
12	1	O-ring	NBR
13	1	Diaphragm	Brass CW617N
14	1	Upper cover	Nickel plated brass CW617N
15	1	Spring	EN 10270-1 SM/SH
16	1	Ring	Polymere
17	1	Spring compressor	Brass CW617N
18	2	PLug	Polymere
19	2	O-ring	EPDM

The photographs and technical art works are not contractual. The specifications of the presented products are open to modifications without previous advice

Tecofi France

83 rue Marcel Mérieux - 69960 Corbas
 Tél. +33 (0)4 72 79 05 79 - Fax. +33 (0)4 78 90 19 19
 E-mail : sales@tecofi.fr - www.tecofi.fr



WORKING CONDITIONS

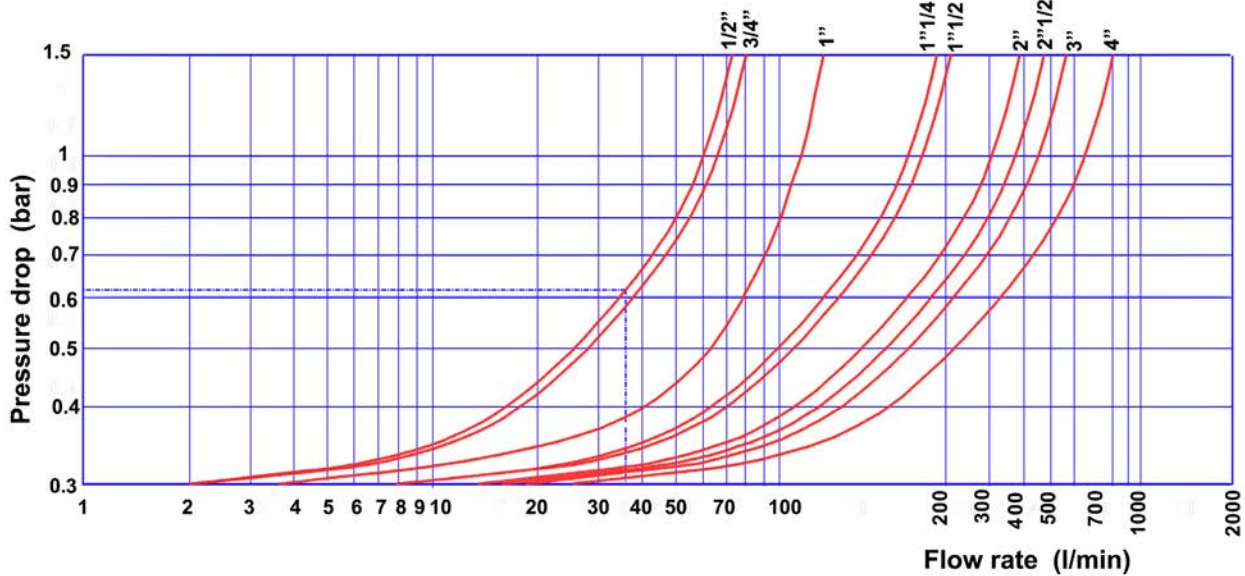
Maximum temperature : 0°C / +80°C

Maximum inlet pressure : 25 bar

Adjustable outlet pressure : 1 à 5.5 bar (1/2" - 1")
1 à 6 bar (1"1/4 - 2")

Factory pre-adjusted pressure : 3 bar.

HEAD LOSSES



The photographs and technical art works are not contractual. The specifications of the presented products are open to modifications without previous advice.

Tecofi France

83 rue Marcel Mérieux - 69960 Corbas

Tél. +33 (0)4 72 79 05 79 - Fax. +33 (0)4 78 90 19 19

E-mail : sales@tecofi.fr - www.tecofi.fr

