

FEMALE/FEMALE THREADED PRESSURE REDUCTING VALVE

DP1103M

APPLICATION

The pressure reducing valve is used in fluid transfer networks to reduce and stabilize the pressure to an adjustable set point.



Fluids: water, waste water, non compressible compatible liquids.

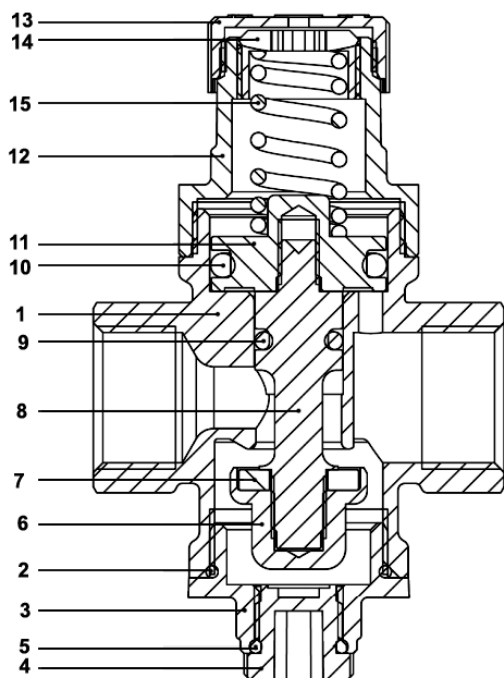
GENERAL CHARACTERISTICS

Range: from DN15 to DN20.

- Compact and reliable construction.
- Installation horizontal position.
- Operation Piston with compensated seat.
- Pressure gauge connections 1/4 " on both sides for controlling the pressure at the outlet.
- Female / female threaded connections according to ISO 228 (equivalent to DIN EN ISO228 and BS EN ISO 228)



CONSTRUCTION



Pos.	Q-ty	Description	Material
1	1	Body	Nickel-plated brass CW617N
2	1	O-ring	NBR
3	1	Bottom plug	Nickel-plated brass CW617N
4	1	Plug	Polyoxymethylene (POM)
5	1	O-ring	EPDM
6	1	Obturator	Brass CW614N
7	1	Flat gasket	NBR
8	1	Stem	Brass CW614N
9	1	O-ring	NBR
10	1	O-ring	NBR
11	1	Diaphragm	Brass CW614N
12	1	Cover	Nickel-plated brass CW617N
13	1	Cap	Nylon
14	1	Spring compressor	Brass CW614N
15	1	Spring	Stainless steel AISI 302

PRODUCT APPROVALS

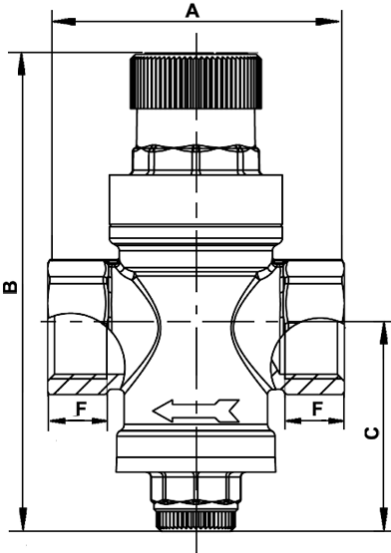


Tecofi France

83 rue Marcel Mérieux - 69960 Corbas
Tél. +33 (0)4 72 79 05 79 - Fax. +33 (0)4 78 90 19 19
E-mail : sales@tecofi.fr - www.tecofi.fr



DIMENSIONS



DN		A	B	C	F	Weight (kg)
mm	inch					
15	1/2"	60	97	41.25	12	0.384
20	3/4"	60	97	41.25	12	0.4

WORKING CONDITIONS

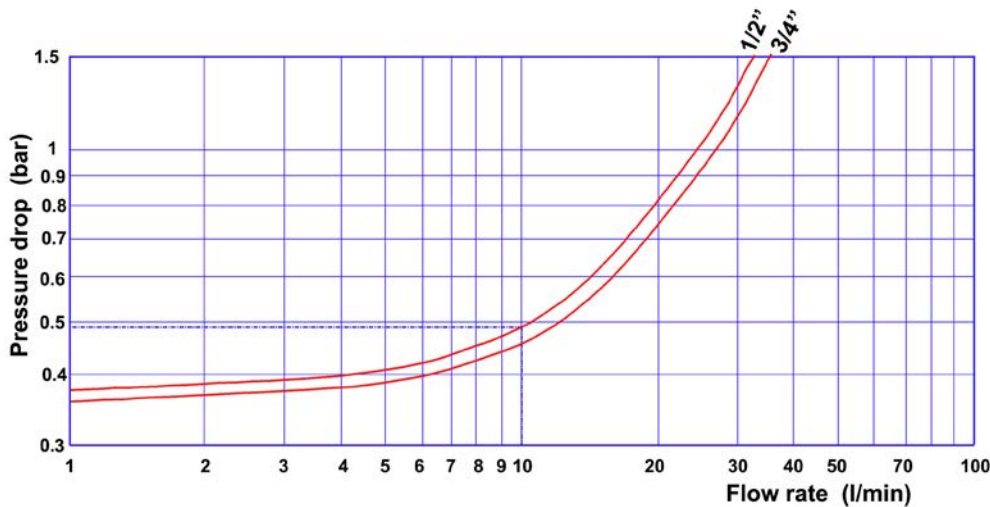
Maximum temperature : 0°C / +80°C

Maximum inlet pressure : 15 bar

Adjustable outlet pressure : 1 à 4 bar

Factory pre-adjusted pressure : 3 bar.

HEAD LOSSES



Tecofi France

83 rue Marcel Mérieux - 69960 Corbas

Tél. +33 (0)4 72 79 05 79 - Fax. +33 (0)4 78 90 19 19

E-mail : sales@tecofi.fr - www.tecofi.fr

