

Ref. : DI 7241.pas

Rev. : B

Date : 03/04/2012

Page : 1/1

RUBBER EXPANSION JOINT WITH SWIVEL FLANGES PN10 AND CONTROL RODS DI 7241



Tecofi
VALVE DESIGNER - FRANCE

APPLICATION

- General use : connecting pipes.

GENERAL CHARACTERISTICS

- From DN 40 to DN 600.
- Angular movement 15°.
- Rotary flanges.
- Galvanized steel flanges PN10.

CONSTRUCTION

5	2/3/4	Control rod	Galvanized steel
4	2	Flange	Zinc-plated steel
3	2	Reinforced wire	Steel
2	1	reinforcement	Nylon tyre cord
1	1	Bellow	EPDM
Pos.	Qty.	Description	Material

* Welding neck flanges (dotted line) are not delivered with the product.

WORKING CONDITIONS

PS max : 10 bar

TS max : -10°C / +115°C

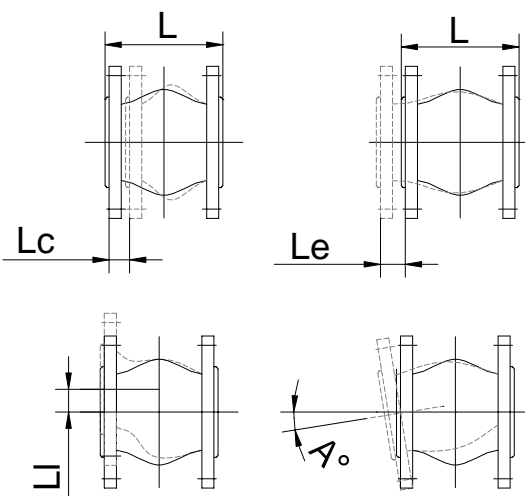
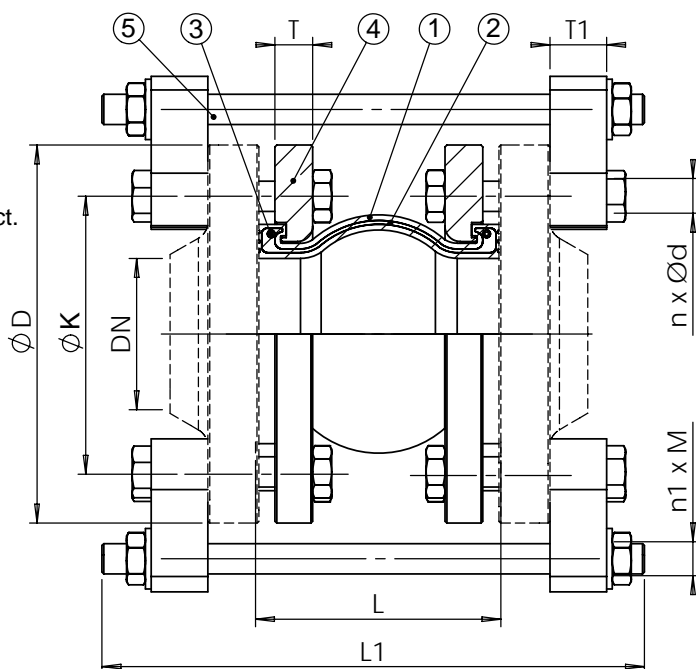
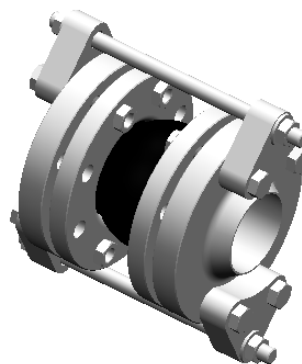
Test procedures are established according to standards EN 12266-1, DIN 3230, BS 6755 and ISO 5208.

STANDARDS

Flanges drilled according to standard EN 1092-1 : ISO PN10.

DIMENSIONS

DN		L	L1	ØK	n x Ød	ØD	T	T1	n1xM	Lc	Le	Li	A°	Weight (kg)
mm	inch													
40	1" 1/2	95	240	110	4 x Ø18	150	15	10	2 x M16	8	5	8	15	6,0
50	2"	105	250	125	4 x Ø18	165	15	10	2 x M16	8	6	8	15	6,8
65	2" 1/2	115	260	145	4 x Ø18	185	15	10	2 x M16	12	6	10	15	8,0
80	3"	130	280	160	8 x Ø18	200	17	10	2 x M16	12	10	10	15	8,6
100	4"	135	290	180	8 x Ø18	220	17	10	2 x M16	18	10	12	15	9,7
125	5"	170	325	210	8 x Ø18	250	19	10	2 x M16	18	10	12	15	12,5
150	6"	180	340	240	8 x Ø23	285	21	12	2 x M16	18	14	12	15	15,1
200	8"	205	370	295	8 x Ø23	340	21	12	2 x M20	25	14	22	15	21,2
250	10"	240	440	350	12 x Ø23	395	23	18	3 x M20	25	14	22	15	29,2
300	12"	260	460	400	12 x Ø23	445	25	18	3 x M20	25	16	22	15	37,7
350	14"	265	460	460	16 x Ø23	505	25	20	4 x M20	25	16	22	15	46,3
400	16"	265	470	515	16 x Ø27	565	27	20	4 x M20	25	16	22	15	57,7
450	18"	265	480	565	20 x Ø27	615	29	20	4 x M20	25	16	22	15	63,7
500	20"	265	480	620	20 x Ø27	670	29	20	4 x M20	25	16	22	15	73,7
600	24"	265	495	725	20 x Ø30	780	29	20	4 x M24	25	16	22	15	94,8



Lc : Axial compression.
Le : Axial extension.
Li : Lateral movement.

TECOFI France - 83, Rue Marcel Mérieux 69960 Corbas - FRANCE
Tél. +33 (0) 4 72 79 05 79 - Fax +33 (0) 4 78 90 19 19 / +33 (0) 4 72 79 05 70
Adresses e-mail : sales@tecofi.fr ; tecofi@tecofi.fr / Site web : www.tecofi.fr