

Ref. : DI 7240NI

Rev. : A

Date : 23/02/2015

Page : 1/1

PN10 FLANGED RUBBER EXPANSION JOINT WITH SWIVEL

DI 7240NI



APPLICATION

General use : water distribution.

GENERAL CHARACTERISTICS

From DN32 to DN200.
Absorb vibration, noises and expansion :
Linear and angular compansion.
Single nitrile sphere .

CONSTRUCTION

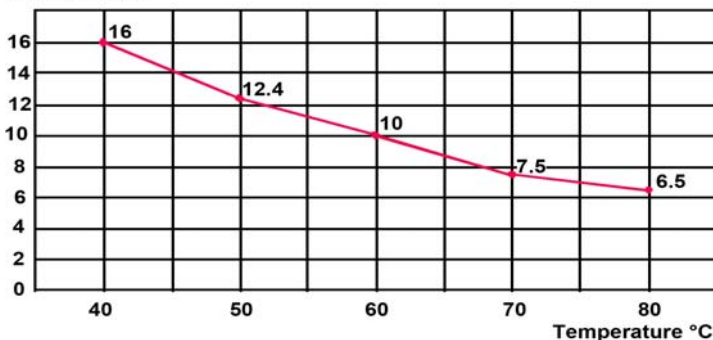
4	Flange	Galvanised steel
3	Brace	Hard steel
2	Reinforcement	Nylon cord
1	Bellow	Nitrile
Pos.	Description	Material

DIMENSIONS

DN		L	ØD	ØD1	Lc	Le	Li	A°	Weight (kg)
mm	inch								
32	1"1/4	95	40	69	8	4	8	15°	2,95
40	1"1/2	95	40	69	8	4	8	15°	3,46
50	2"	105	52	85	8	4	8	15°	3,98
65	2"1/2	115	68	106	12	6	10	15°	4,89
80	3"	130	76	116	12	6	10	15°	6,57
100	4"	135	103	150	18	10	12	15°	6,74
125	5"	170	128	180	18	10	12	15°	9,36
150	6"	180	152	209	18	10	12	15°	12,71
200	8"	205	194	260	20	14	18	15°	16,80

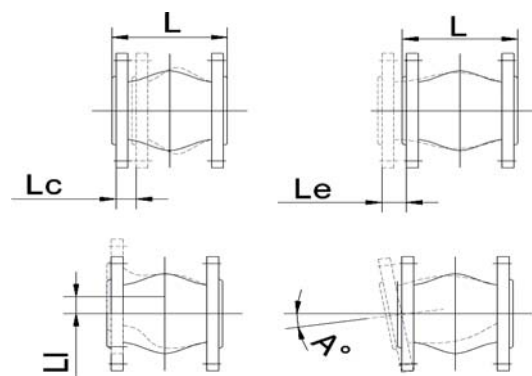
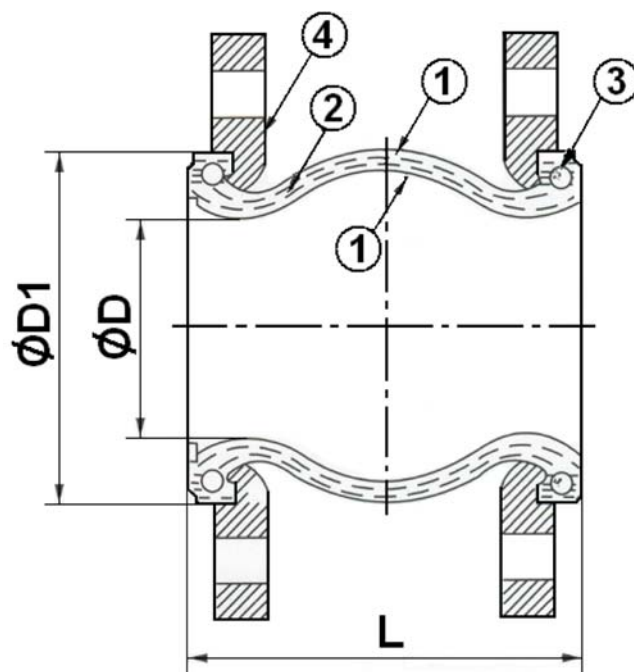
WORKING CONDITIONS

Pressure Bar



STANDARDS

Fabrication according to ISO 9001 : 2000.
Flanges according to EN 1092 PN10/16 up to DN150
and PN10 for DN200.



Lc : Axial compression
Le : Axial elongation
Li : Lateral movement
A° : Angular movement