

Ref. : DI 724016-BUA

Rev. : Initial

Date : 02/01/2020

Page : 1/1

FLANGED RUBBER EXPANSION JOINT WITH SWIVEL

DI 724016-BUA



APPLICATION

General use : drinking water.

GENERAL CHARACTERISTICS

Range from DN200 to DN300.
Ensures the reduction of mechanical and thermal stresses on pipes and ancillary systems such as pumps, compressors and actuator.
Absorbs vibrations and noise. Compensates axial, lateral and angular movements.
Corrects misalignments..

CONSTRUCTION

| | | |
|-------------|--------------------|------------------|
| 4 | Flange | Galvanised steel |
| 3 | Brace | Hard steel |
| 2 | Reinforcement | Synthetic fibers |
| 1 | Bellow | Butyl |
| Rep. | Description | Material |



ACS

DIMENSIONS

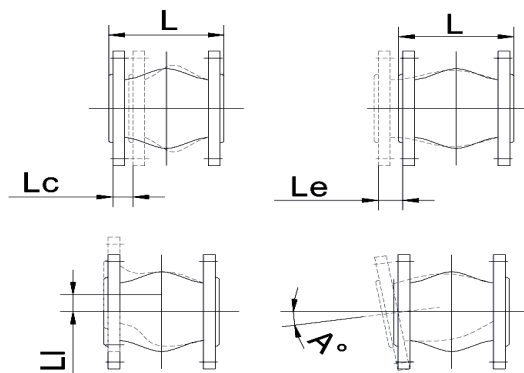
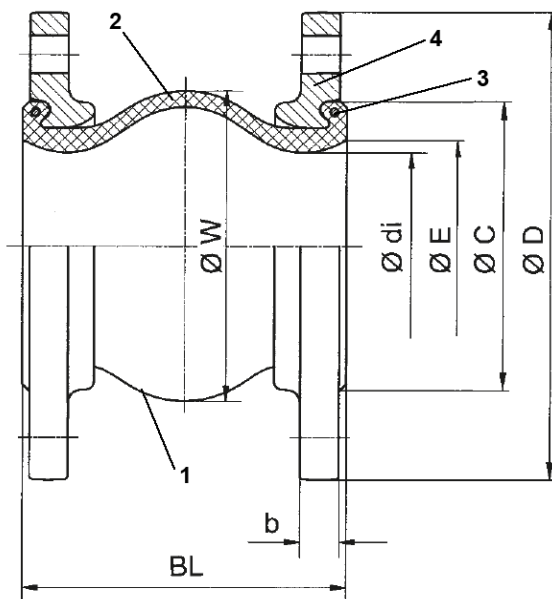
| DN | | BL | Ødi | ØC | ØE | ØW | ØD | b | Lc | Le | Li | A° | Weight (kg) |
|-----|------|-----|-----|-----|-----|-----|-----|----|----|----|----|----|-------------|
| mm | inch | | | | | | | | | | | | |
| 200 | 8" | 130 | 202 | 260 | 209 | 260 | 340 | 25 | 25 | 10 | 15 | 7 | 18,20 |
| 250 | 10" | 130 | 252 | 313 | 262 | 313 | 395 | 25 | 25 | 10 | 15 | 6 | 23,70 |
| 300 | 12" | 130 | 303 | 363 | 312 | 363 | 445 | 25 | 25 | 10 | 15 | 5 | 30,40 |

WORKING CONDITIONS

Maximum working temperature : 90°C at 6 bar
60°C at 16 bar

STANDARDS

Flanges according to EN 1092 PN16.



Lc : Axial compression
Le : Axial elongation
Li : Lateral movement
A° : Angular movement