

## RUBBER EXPANSION JOINT

### TECHNICAL PASSPORT

#### COMPENSATEUR CAOUTCHOUC A BRIDES TOURNANTES

DI 7240-EA

#### APPLICATION

- Reduction of mechanical and thermal stress on pipes and related systems : pumps, compressors, motors.
- Absorption of vibrations and noise
- Compensation of axial, lateral and angular movements
- Correction of misalignment of the piping.



Fluid: drinking water

#### GENERAL CHARACTERISTICS

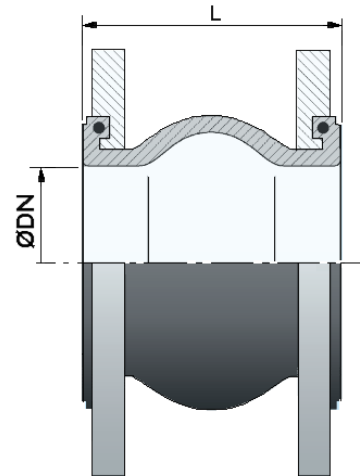
- Range : from DN32 to DN300.
- Universal expansion joint consisting of :
  - EPDM ACS elastomer bellows
  - Swivel flanges made of carbon steel zinc plated.
  - Identical face to face for all diameters.



**ACS**

#### DIMENSIONS

DN		L	Movements				Weight (kg)
mm	inch		Axial compression (mm)	Axial extension (mm)	Lateral (mm)	Angular (degré)	
32	1" 1/4	130	8	4	12	15	3.13
40	1" 1/2	130	8	4	12	15	3.30
50	2"	130	8	5	12	15	3.70
65	2" 1/2	130	12	6	12	15	4.80
80	3"	130	12	6	12	15	5.30
100	4"	130	12	10	12	15	6.20
125	5"	130	12	10	12	15	8.20
150	6"	130	12	10	12	15	11.20
200	8"	130	12	10	12	15	16.80
250	10"	130	12	10	12	15	21.60
300	12"	130	12	10	12	15	30.10



Flange connection PN10/16 up to DN150 and PN10 from DN200 to DN300 according to standards EN1092-1, DIN 3230, BS 6755 and ISO 5208.

#### WORKING CONDITIONS

Temperature/Pressure chart						
Working temperature (°C)	20° C		50° C	60° C	70° C	80° C
Working pressure (bar)	16 (DN32-150)	10 (DN200-300)	9.6	7.5	6.2	5

#### PRODUCT APPROVALS



#### Tecofi France

83 rue Marcel Mérieux - 69960 Corbas  
Tél. +33 (0)4 72 79 05 79 - Fax. +33 (0)4 78 90 19 19  
E-mail : sales@tecofi.fr - [www.tecofi.fr](http://www.tecofi.fr)

