

Ref. : DI 7240-BUA

Rev. : Initial

Date : 02/01/2020

Page : 1/1

# FLANGED RUBBER EXPANSION JOINT WITH SWIVEL

## DI 7240-BUA



### APPLICATION

General use : drinking water.

### GENERAL CHARACTERISTICS

Range from DN32 to DN300.  
Ensures the reduction of mechanical and thermal stresses on pipes and ancillary systems such as pumps, compressors and actuator.  
Absorbs vibrations and noise. Compensates axial, lateral and angular movements.  
Corrects misalignments..

### CONSTRUCTION

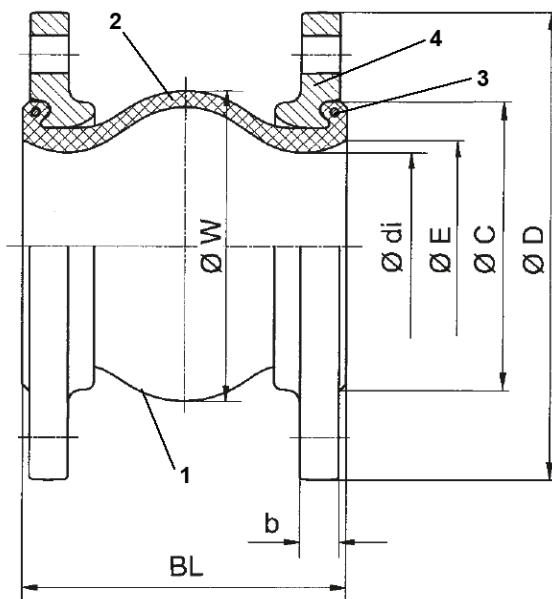
4	Flange	Galvanised steel
3	Brace	Hard steel
2	Reinforcement	Synthetic fibers
1	Bellow	Butyl
<b>Rep.</b>	<b>Description</b>	<b>Material</b>



ACS

### DIMENSIONS

DN		BL	Ødi	ØC	ØE	ØW	ØD	b	Lc	Le	Li	A°	Weight (kg)
mm	inch												
32	1"1/4	130	31	72	39	88	140	16	35	10	15	25	3,30
40	1"1/2	130	39	81	45	96	150	16	35	10	15	25	3,80
50	2"	130	49	95	56	107	165	16	35	10	15	25	4,50
65	2"1/2	130	65	115	72	123	185	18	35	10	15	25	5,20
80	3"	130	77	127	84	135	200	20	30	10	15	20	7,10
100	4"	130	100	151	109	160	220	20	30	10	15	15	8,00
125	5"	130	127	178	133	184	250	22	30	10	15	15	10,50
150	6"	130	153	206	161	212	285	22	30	10	15	10	12,80
200	8"	130	202	260	209	260	340	25	25	10	15	7	18,20
250	10"	130	252	313	262	313	395	25	25	10	15	6	23,70
300	12"	130	303	363	312	363	445	25	25	10	15	5	30,40

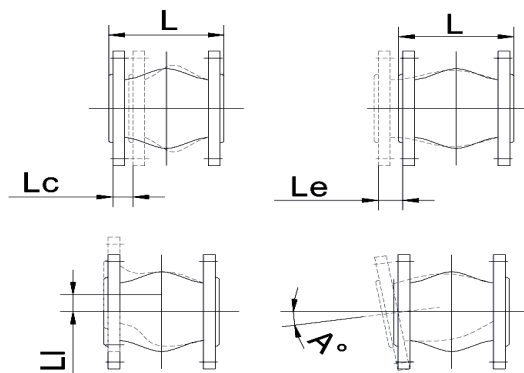


### WORKING CONDITIONS

Maximum working temperature : 90°C at 6 bar  
60°C at 16 bar

### STANDARDS

Flanges according to EN 1092 PN10/16 up to DN150 and PN10 from DN200 to DN300.



Lc : Axial compression  
Le : Axial elongation  
Li : Lateral movement  
A° : Angular movement