

Ref. : DI 7200A

Rev. : Initial

Date : 13/12/2017

Page : 1/1

RUBBER EXPANSION JOINT WITH SWIVEL FLANGES ASA150

DI 7200A



APPLICATION

Hot water, cold water, water treatment, sewerage, heating, air conditioning, control of vibrations and noise on pipes etc.

GENERAL CHARACTERISTICS

- From DN 32 to DN 100.
- Swivel flanges.
- Galvanized steel flanges ASA 150.

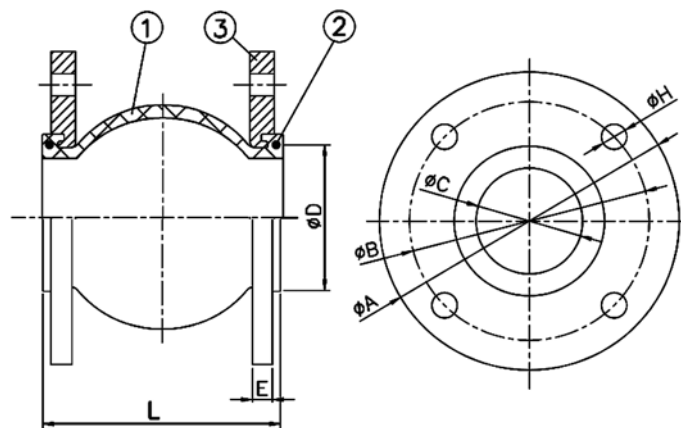


CONSTRUCTION

3	Flange	Zinc plated steel
2	Reinforced wire	Carbon steel
1	Rubber	EPDM + Nylon
Pos.	Description	Material

DIMENSIONS

DN		L	ØA	ØB	ØC	ØD	nx ØH	E	Lc	Le	Li	A°	Weight (kg)
mm	inch												
32	1 1/4	95	117.5	88.9	32	69	4 x Ø16	16	10	6	9	15°	2.46
40	1 1/2	95	127	98.4	40	69	4 x Ø16	17.5	10	6	9	15°	2.80
50	2	105	152.4	120.6	52	86	4 x Ø19	19	10	7	10	15°	3.90
65	2 1/2	115	177.8	139.7	68	106	4 x Ø19	22.2	13	8	12	15°	4.77
80	3	130	190.5	152.4	76	126	4 x Ø19	23.8	15	8	12	15°	5.92
100	4	135	228.6	190.5	103	150	8 x Ø19	23.8	19	12	15	15°	7.26
125	5	170	254	215.9	128	180	8 x Ø22	23.8	19	12	15	15°	9.20
150	6	180	279.4	241.3	152	209	8 x Ø22	25.4	20	12	15	10°	11.78
200	8	195	342.9	298.5	194	260	8 x Ø22	28.6	20	12	22	10°	17.40
250	10	240	406.4	361.9	250	320	12 x Ø25.4	30.2	28	16	22	10°	24.76
300	12	260	482.6	431.8	300	367	12 x Ø25.4	31.7	28	16	25	10°	33.70
350	14	265	533.4	476.2	320	408	12 x Ø28.6	34.9	28	16	25	10°	45.90
400	16	265	596.9	539.7	372	472	16 x Ø28.6	36.5	28	16	25	10°	53.00
450	18	265	635	577.8	415	522	16 x Ø31.7	39.7	28	16	25	10°	55.42
500	20	265	698.5	635	454	570	20 x Ø31.7	42.9	28	16	25	10°	68.80

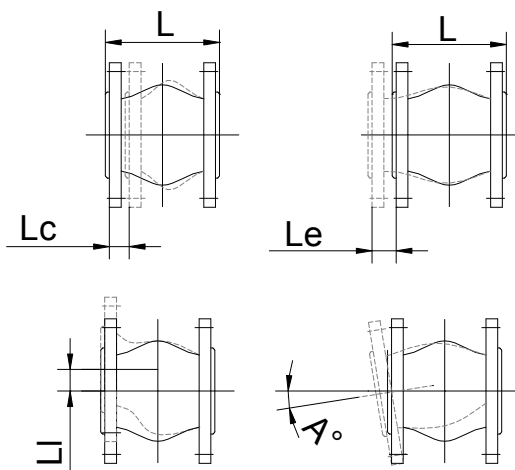
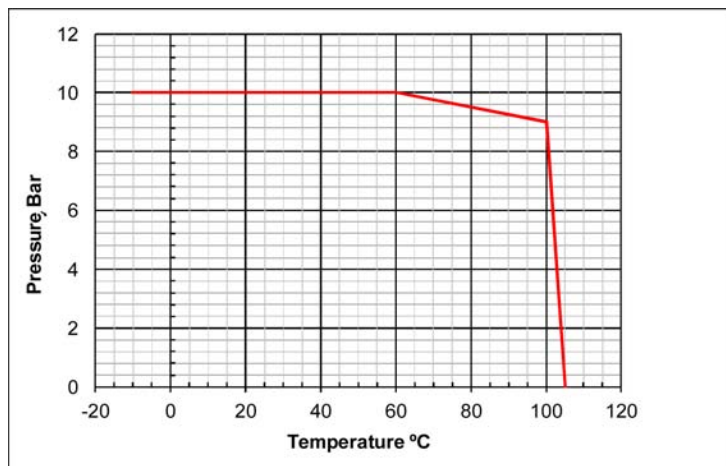


WORKING CONDITIONS

Maximum working temperature : -10°C / +105°C

Maximum working pressure: 10 bar

Maximum working vacuum: 400 mbar



Lc : Axial compression.
Le : Axial extension.
Li : Lateral movement.
A° : Angular movement

STANDARDS

Flanges drilled according to standard ANSI 150 B 16.5.

TECOFI France - 83, Rue Marcel Mérieux 69960 Corbas - FRANCE
Tél. +33 (0) 4 72 79 05 79 - Fax +33 (0) 4 78 90 19 19 / +33 (0) 4 72 79 05 70
Adresses e-mail : sales@tecofi.fr ; tecofi@tecofi.fr / Site web : www.tecofi.fr

The photographs and technical art works are not contractual. The specifications of the presented products are open to modifications without previous advice.