

## METALLIC EXPANSION JOINT

### TECHNICAL PASSPORT

#### FLANGED PN16 METALLIC EXPANSION JOINT

DI 6240

#### APPLICATION

- Reduction of mechanical and thermal stresses and related systems : pumps, compressors, actuators.
- Absorption of lateral movements (30 mm and 60 mm).
- reduction of vibration and noise.



**Fluid:** fluids subjected to high temperatures and pressures such as: steam, thermal oil, hot water, chemicals etc.

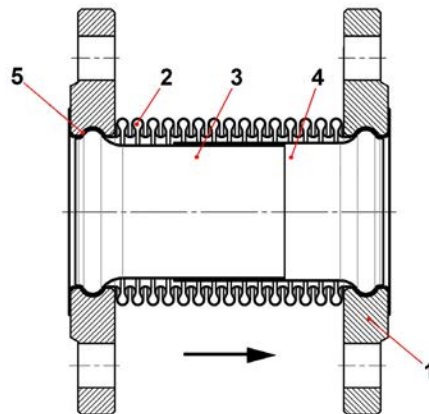
#### GENERAL CHARACTERISTICS

**Range :** from DN 25 to DN300 (MVT 30mm : -20/+10 mm axial)  
from DN 50 to DN 300 (MVT 60mm : -40/+20 mm axial)

Expansion joint with rotating flanges PN16  
-Flexible metal bellow.

⚠ maximum lateral movements: -1 / +1 mm

#### CONSTRUCTION



Pos.	Q-ty	Description	Material	Equivalentces		
				DIN	ASTM	BS
1	2	Flange	Steel S235JR	St 37.2	A36	
2	1	Bellow	Stainless steel 321	X6CrNi 18 10	A193 B8T	S32100
3	1	Inner sleeve 1	Stainless steel 304	X5CrNi18 10	A 182 AISI 304	1449-2 304 S15
4	1	Inner sleeve	Stainless steel 304	X5CrNi 18 10	A 182 AISI 304	1449-2 304 S15
5	2	Collar	Stainless steel 304	X5CrNi18 10	A 182 AISI 304	1449-2 304 S15

#### STANDARDS

Flanged connection according to EN 1092-1 PN16.

#### PRODUCT APPROVALS



#### Tecofi France

83 rue Marcel Mérieux - 69960 Corbas  
Tél. +33 (0)4 72 79 05 79 - Fax. +33 (0)4 78 90 19 19  
E-mail : sales@tecofi.fr - [www.tecofi.fr](http://www.tecofi.fr)

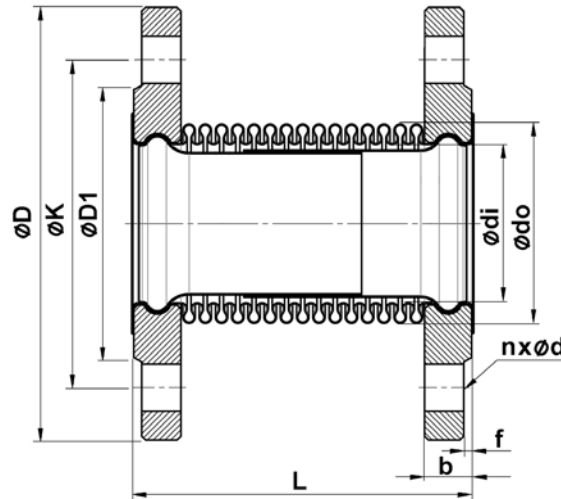


## METALLIC EXPANSION JOINT

### TECHNICAL PASSPORT

DI 6240

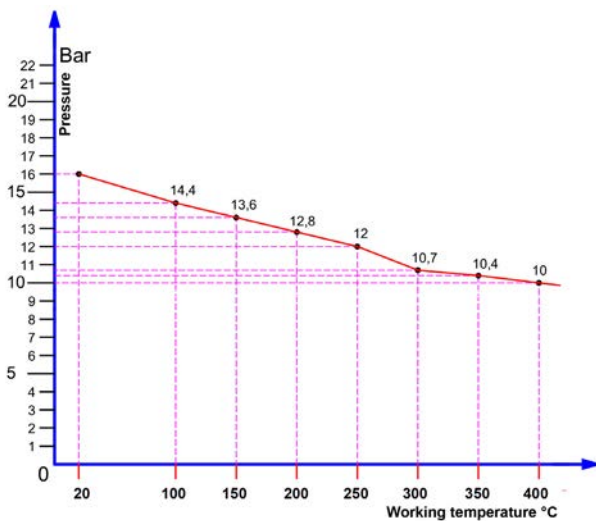
#### DIMENSIONS



**AXIAL MOVEMENTS :**  
 30 mm (-20 mm / +10 mm)  
 60 mm (-40 mm / +20 mm)

DN		ØD	ØK	ØD1	f	b	nxØd	Bellow				Section effiace (cm <sup>2</sup> )	Spring rate (N/mm)		L		Weight (kg)	
mm	inch							Ødi	Ød0	Wall thickness	Number of waves		30 mm	60 mm	30 mm	60 mm	30 mm	60 mm
25	1"	115	85	68	2	16	4xØ14	38	48	0.30	20	14.5	82.1	-	110	-	2.70	-
32	1 1/4"	140	100	78	2	16	4xØ18	42	55	0.30	20	18.5	49.7	-	115	-	3.70	-
40	1 1/2"	150	110	88	3	16	4xØ18	48	60	0.40	20	23	127.2	-	120	-	3.80	-
50	2"	165	125	102	3	18	4xØ18	60	76	0.40	15	36	111.4	59.7	110	195	5.00	5.00
65	2 1/2"	185	145	122	3	18	4xØ18	76	95	0.50	14	57	165.8	82.9	110	195	6.00	6.00
80	3"	200	160	138	3	20	8xØ18	89	111	0.50	10	78.5	178.9	89.4	110	190	7.00	8.00
100	4"	220	180	158	3	20	8xØ18	114	140	0.60	10	127	252.2	126.1	120	200	8.20	9.00
125	5"	250	210	188	3	22	8xØ18	139	164	0.60	10	180	320	160	130	210	10.50	12.00
150	6"	285	240	212	3	22	8xØ22	168	200	0.80	10	266	433.8	216.9	145	245	12.50	15.00
200	8"	340	295	268	3	24	12xØ22	219	250	0.80	8	432	694.2	347.1	140	245	18.50	21.00
250	10"	405	355	320	3	26	12xØ26	270	308	1	6	655	867.5	555	150	250	25.50	27.00
300	12"	460	410	378	4	28	12xØ26	323	365	1	6	929	992.2	496.1	160	260	40.00	35.00

#### WORKING CONDITIONS



Maximum working temperature : -80°C / +427°C  
 Maximum working pressure : 16 bar

**Tecofi France**

83 rue Marcel Mérieux - 69960 Corbas  
 Tél. +33 (0)4 72 79 05 79 - Fax. +33 (0)4 78 90 19 19  
 E-mail : sales@tecofi.fr - [www.tecofi.fr](http://www.tecofi.fr)

