

Ref. : CSA6744NPT

Rev. : Initial

Date : 20/01/2015

Page : 1/1

FORGED BALL TYPE CHECK VALVE 800LBS

CSA6744NPT



Tecofi
VALVE DESIGNER - FRANCE

APPLICATION

General use: Petroleum industry, steam, high pressure.

GENERAL CHARACTERISTICS

Standard port.
Horizontal position only (respect the flow direction indicated by the arrow).
Easy maintenance thanks to the bolted bonnet.
Forged stainless steel.
½ stellite (Trim 10) standard stainless steel 316.
800 lbs.



CONSTRUCTION

9	Nameplate	Aluminium
8	Rivet	Carbon steel
7	Bolt	ASTM A193 B8
6	Ball guide	ASTM A479 type 316
5	Gasket	SS 316 + graphite spiral wound
4	Seat	ASTM A479 type 316
3	Ball	ASTM A479 type 316
2	Bonnet	ASTM A182 F316
1	Body	ASTM A182 F316
Pos.	Description	Material

DIMENSIONS

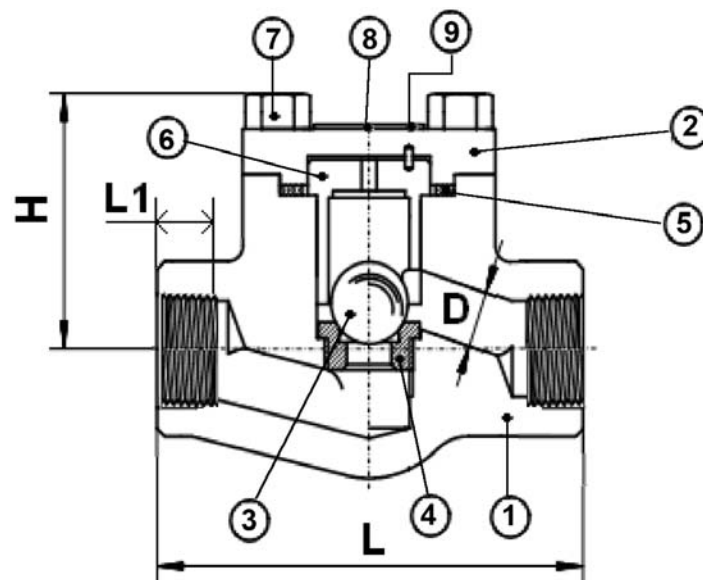
DN		L	H	ØD	L1	Weight (kg)
mm	inch					
10	3/8"	80	53	7	13	1.3
15	1/2"	80	53	9	15	1.2
20	3/4"	90	60	13	18	1.4
25	1"	110	73	17.5	19	2.4
32	1"1/4	127	80	22.5	20	3.6
40	1"1/2	155	98	29.5	21	5.4
50	2"	170	118	35	21	8

WORKING CONDITIONS

Maximum pressure : 138 bar.
Maximum temperature : -29°C/+425°C.

STANDARDS

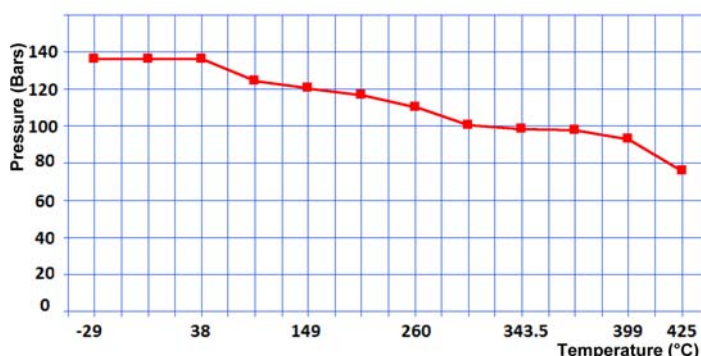
Fabrication according to **ISO 9001 : 2008**
DIRECTIVE 2014/68/UE
Risk category III module H
Designing according to **ISO 15761** and **API 602** 8th
Approval certificate **API 6D**
Tests according to **API 598, table 6**
Approval certificate Russian Federation **GOST-R**
Check valves approved by the main oil industries
ATEX Group II Category 2 G/2D Zone 1 & 21 Zone 2 & 22
Threaded female NPT ends according to ANSI B1.20.1



FLOW COEFFICIENT Kvs (m3/h)

DN	mm	10	15	20	25	32	40	50
	inch	3/8"	1/2"	3/4"	1"	1"1/4	1"1/2	2"
Kvs (m³/h)		0.95	0.86	2.4	5.2	8.2	9.5	15.6

PRESSURE / TEMPERATURE GRAPH



TECOFI France - 83, Rue Marcel Mérieux 69960 Corbas - FRANCE
Tél. +33 (0) 4 72 79 05 79 - Fax +33 (0) 4 78 90 19 19 / +33 (0) 4 72 79 05 70
Adresses e-mail : sales@tecofi.fr ; tecofi@tecofi.fr / Site web : www.tecofi.fr