

FLANGED PN16 NON RETURN LIFT CHECK VALVE - CAST IRON BODY

CS 3240

APPLICATION

TECOFI lift check valve is suitable for fluid transfer applications in circuits subjected to higher or lower pressures.

Area of use: Industrial installation, central heating, supply, irrigation, pumping, distribution, etc.



Fluids: clear water, slightly charged water, waste for industry.



GENERAL CHARACTERISTICS

Range: from DN15 to DN300.

- Lift check valve
- Simple and sturdy construction
- Disc guided in the body
- Stainless steel return spring
- Installation direction indicated by an arrow on the body
- Possibility of mounting in all position

STANDARDS

Connection	Flange connection according to EN 1092-2 and DIN 2501/1 : ISO PN16.
Face to face	Face to face dimension according to EN 558-1 serie 1 and DIN 3202/F1.
Tests	Hydraulic tests according to EN12266-1, DIN 3230, BS 5154 and ISO 5208: - Body : 24 bar - Seat : 17.6 bar

PRODUCT APPROVALS

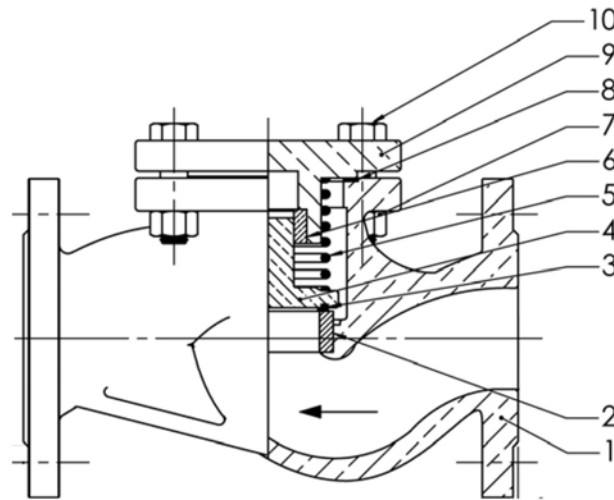


Tecofi France

83 rue Marcel Mérieux - 69960 Corbas
Tél. +33 (0)4 72 79 05 79 - Fax. +33 (0)4 78 90 19 19
E-mail : sales@tecofi.fr - www.tecofi.fr



CONSTRUCTION



Pos.	Description	Material	Equivalences		
			DIN	ASTM	BS
1	Body	Cast iron EN-GJL-250	GG 25	A48 Class 40B	1452 Grade 250
2	Body seat	Stainless steel X5CrNi18-9	1.4301	AISI 304	304 S15
3	Disc seat**	Stainless steel X20Cr13	1.4021	AISI 420	420 S 37
4	Disc*	Cast iron EN-GJL-250	GG 25	A48 Class 40B	1452 Grade 250
5	Spring	Stainless steel X5CrNi18-9	1.4301	AISI 304	304 S15
6	Bearing	Brass Cu-Zn39Pb2	DIN17656		HPb59-1
7	Nut	Steel RSt37-2	DIN17100		GB700-88
8	Gasket	Graphite fiber			
9	Bonnet	Cast iron EN-GJL-250	GG 25	A48 Class 40B	1452 Grade 250
10	Screw	Steel RSt37-2	DIN17100		GB700-88

* - Disc in stainless steel X20Cr13 from DN15 to DN50

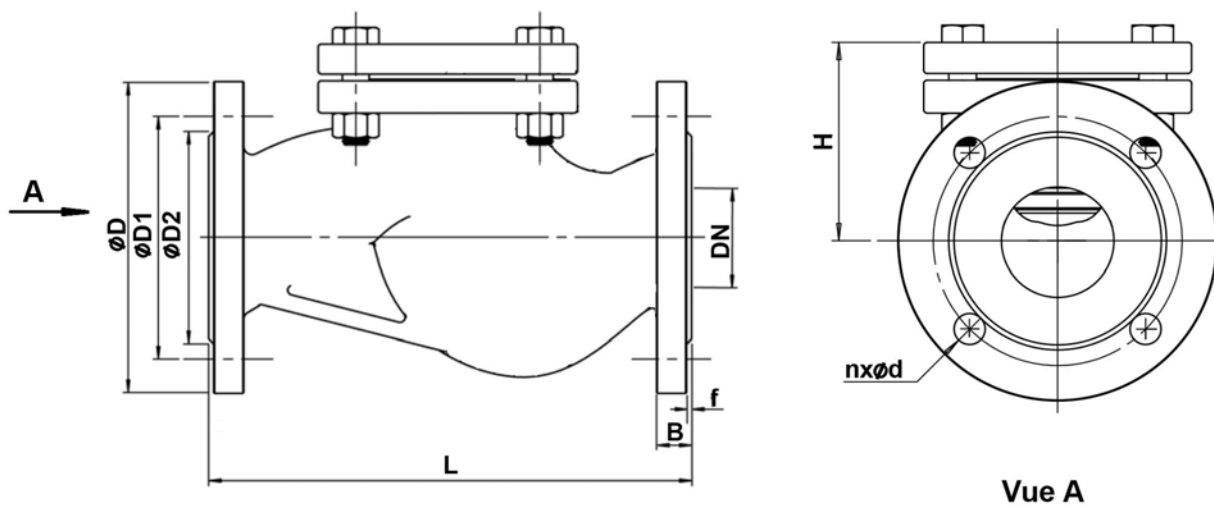
** - Disc seal ring in stainless steel X5CrNi18-9 from DN65 to DN300

Tecofi France

83 rue Marcel Mérieux - 69960 Corbas
 Tél. +33 (0)4 72 79 05 79 - Fax. +33 (0)4 78 90 19 19
 E-mail : sales@tecofi.fr - www.tecofi.fr



DIMENSIONS



DN		L	$\varnothing D$	$\varnothing D1$	$\varnothing D2$	B	f	n	d	H	Weight (kg)
mm	inch										
15	1/2"	130	95	65	46	14	2	4	14	64	2,34
20	3/4"	150	105	75	56	16	2	4	14	71	3,44
25	1"	160	115	85	65	16	3	4	14	81	4,28
32	1 1/4"	180	140	100	76	18	3	4	19	95	7,04
40	1 1/2"	200	150	110	84	18	3	4	19	100	8,48
50	2"	230	165	125	99	20	3	4	19	111	12,1
65	2 1/2"	290	185	145	118	20	3	4	19	123	16,9
80	3"	310	200	160	132	22	3	8	19	143	22,64
100	4"	350	220	180	156	24	3	8	19	159	27,6
125	5"	400	250	210	184	26	3	8	19	185	51,8
150	6"	480	285	240	211	26	3	8	23	216	69,8
200	8"	600	340	295	266	30	3	12	23	257	116,8
250	10"	730	405	355	319	32	3	12	18	315	196
300	12"	850	460	410	370	32	4	12	28	375	289

WORKING CONDITIONS

Maximum working pressure : 16 bar (WT max : +120°C)
 13.6 bar (WT max : +180°C)
 12 bar (WT max : +225°C)

Tecofi France

83 rue Marcel Mérieux - 69960 Corbas
 Tél. +33 (0)4 72 79 05 79 - Fax. +33 (0)4 78 90 19 19
 E-mail : sales@tecofi.fr - www.tecofi.fr

