

Ref. : CS 2143.pas

Rev. : Initial

Date : 30/09/2015

Page : 1/1

THREADED TYPE LIFT CHECK VALVE

CS 2143



APPLICATION

General uses : Heating, water distribution and watering.

GENERAL CHARACTERISTICS

Range : from DN 1/4" up to DN 2"
 Respect the flow direction indicated on the body by the arrow.
 Horizontal position
 Bronze body with union cap. Stainless steel disc
 PTFE or stainless steel disc
 BSP cylindrical female threaded

CONSTRUCTION

8	Spring	Stainless steel 303
7	Seat	Stainless steel 316L
6	Disc nut	Brass CW 614N according to EN12164
5	Disc	PTFE
4	Stem	Brass CW 614N according to EN12164
3	Bonnet nut	Brass CW 617N according to EN12165
2	Bonnet	**
1	Body	Bronze C83600 ASTM B62
Pos.	Description	Material

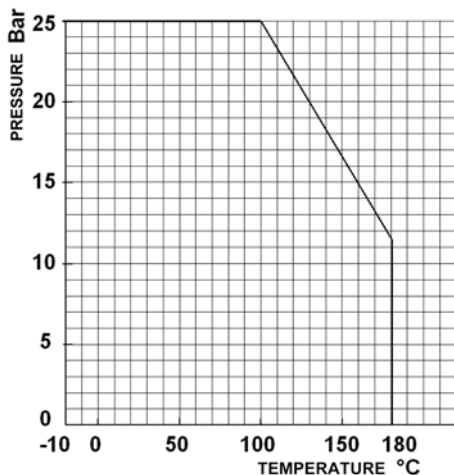
** - Brass CW 614N according to EN12164 from DN1/4" to DN1"1/2
 -Bronze C83600 ASTM B62 for DN2"

DIMENSIONS

DN inch	L	H	Weight (kg)
1/4"	46	30	0.223
3/8"	46	30	0.190
1/2"	56	35	0.292
3/4"	62	45	0.514
1"	74	50	0.729
1"1/4	91	60	1.198
1"1/2	100	65	1.464
2"	128	80	2.520

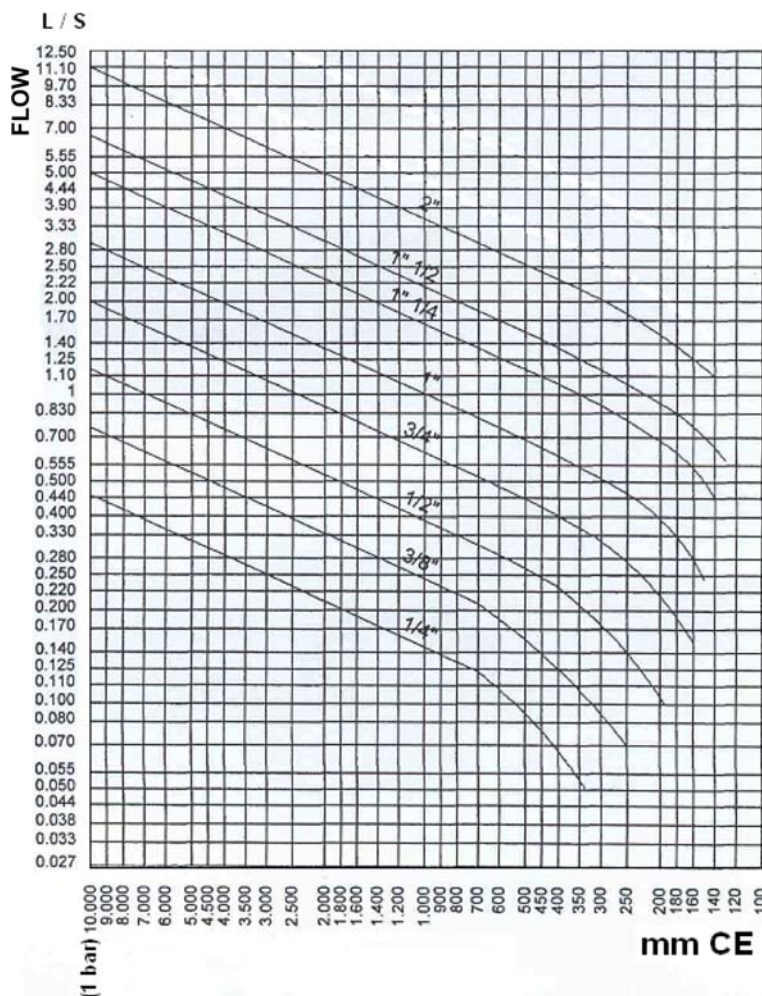
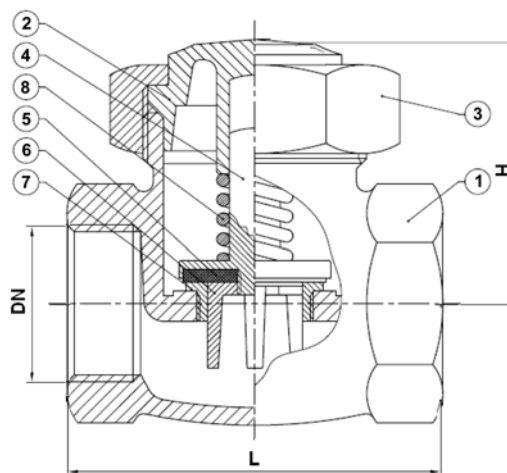
WORKING CONDITIONS

Maximum working pressure : 25 bar.
 Maximum temperature : -10°C / +180°C.



AGREEMENT AND TESTING

Test procedures are established according to NF EN 12266-1, DIN3230, ISO 5208.
 BSP threaded according to ISO 228.



TECOFI France - 83, Rue Marcel Mérieux 69960 Corbas - FRANCE
 Tél. +33 (0) 4 72 79 05 79 - Fax +33 (0) 4 78 90 19 19 / +33 (0) 4 72 79 05 70
 Adresses e-mail : sales@tecofi.fr ; tecofi@tecofi.fr / Site web : www.tecofi.fr