

STRAINER FOR CHECK VALVE

TECHNICAL PASSPORT

STRAINER FOR FLANGED AXIAL CHECK VALVE STAINLESS STEEL BODY

CR 6200

APPLICATION

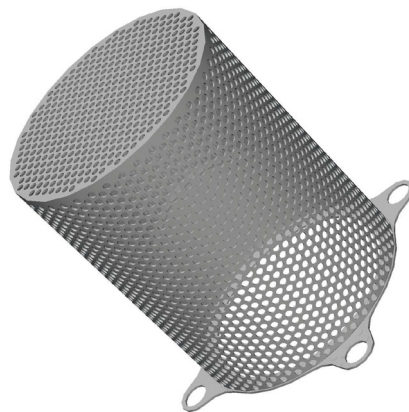
Area of use: Water distribution and watering.



Fluids: water and compatible fluids.

GENERAL CHARACTERISTICS

- Range : DN350 to DN600.
- Easy cleaning and disassembling.
- Flanged connection PN10 according to EN 1092.

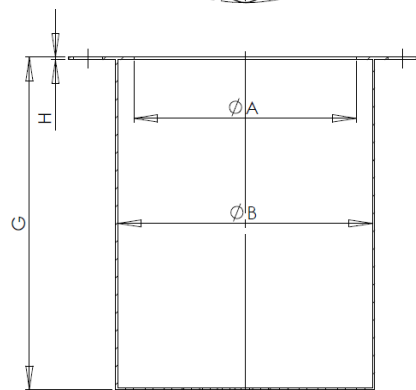
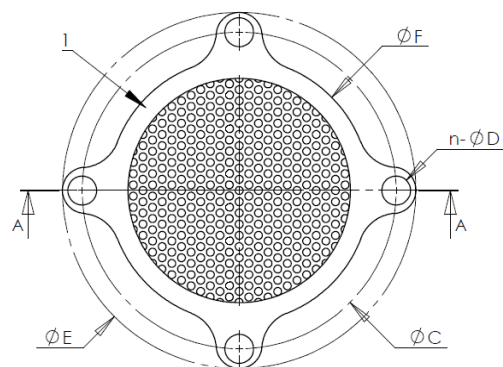


CONSTRUCTION

Pos.	Description	Material
1	Body	Stainless steel 304L

DIMENSIONS

DN		A	B	C	n-ØD	E	F	G	H	Perforated sheets
mm	inch									
350	1/2"	365	400	460	8-Ø22	490	415	500	2	R 10 T 15 Thickness : 2
400	3/4"	410	440	515	8-Ø22	545	465	500	2	
450	1"	475	500	565	10-Ø26	600	515	500	2	
500	1 1/4"	530	540	620	10-Ø26	655	570	500	2	
600	1 1/2"	630	640	725	10-Ø30	760	670	500	2	



WORKING CONDITIONS

Maximum working pressure : 10 bar

Maximum working temperature: -20°C / +200°C.

Tecofi France

83 rue Marcel Mérieux - 69960 Corbas
Tél. +33 (0)4 72 79 05 79 - Fax. +33 (0)4 78 90 19 19
E-mail : sales@tecofi.fr - www.tecofi.fr



The photographs and technical art works are not contractual. The specifications of the presented products are open to modifications without previous advice