

Ref. : CP4250.pas

Rev. : E

Date : 11/04/2014

Page : 1/1

TILTING TYPE CHECK VALVE PN25

CP 4250



Tecofi
VALVE DESIGNER - FRANCE

APPLICATION

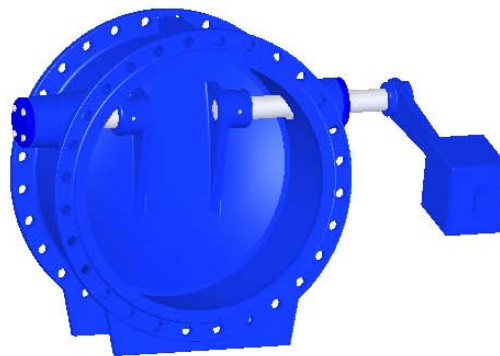
General uses: drinkable water, dirty fluids, industry.

GENERAL CHARACTERISTICS

Range : from DN 150 to DN 900.
Low head losses.
Maintenance free.
Complete sealing (double eccentric arrangement of disc).
Mounting horizontally or vertically.
Bearings self lubricated.
With or without counterweight.

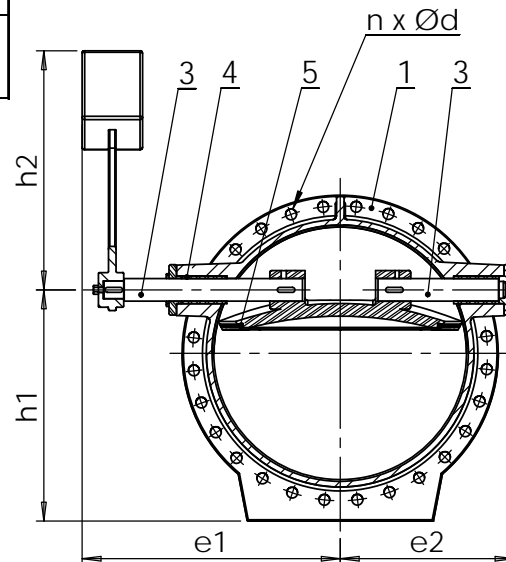
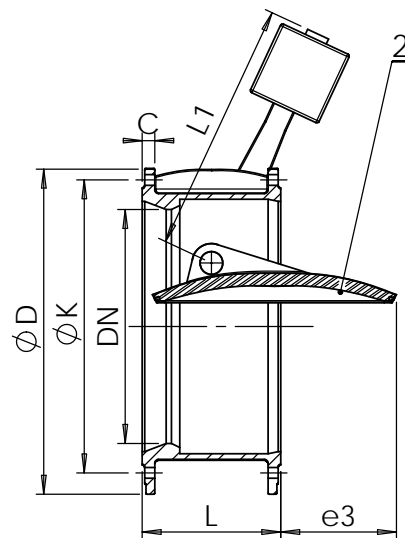
CONSTRUCTION

Pos.	Qty.	Description	Material
5	1	Gasket	EPDM
4	2	Bushing	Bronze
3	2	Shaft	Stainless steel X20 Cr13
2	1	Disc	Ductile iron GGG50
1	1	Body	Ductile iron GGG50



DIMENSIONS

DN	ØD	ØK	n x Ød	C	L	L1	e1	e2	e3	h1	h2	Weight (kg)
150	300	250	8 x Ø28	19,0	210	200	245	230	9	180	188	35
200	360	310	12 x Ø28	22,0	230	200	268	252	35	230	188	48
250	450	370	12 x Ø31	34,5	250	300	338	317	68	285	280	94
300	485	430	16 x Ø31	27,5	270	400	395	362	88	328	312	126
350	555	490	16 x Ø34	30,0	290	400	438	410	117	375	372	175
400	620	550	16 x Ø37	32,0	310	400	485	460	138	420	372	287
450	670	600	20 x Ø37	34,5	330	500	513	488	165	457	463	298
500	730	660	20 x Ø37	36,5	350	500	573	554	191	500	465	376
600	845	770	20 x Ø41	42,0	390	600	627	610	238	582	555	512
700	960	875	24 x Ø44	46,5	430	700	715	698	298	665	647	710
800	1085	990	24 x Ø50	51,0	On request							
900	1115	1050	28 x Ø50	55,5								



WORKING CONDITIONS

Maximum working pressure : 25bar.
Maximum temperature : + 80°C.

AGREEMENT AND TESTING

Test procedures are established according to BS 6755.
Face to face according to NF EN558-1 serie 14, DIN 3202/1 serie F4.
Flanges drilled according to EN 1092-2, ISO 2531 and DIN 2501 : ISO PN25.

TECOFI France - 83, Rue Marcel Mérieux 69960 Corbas - FRANCE
Tél. +33 (0) 4 72 79 05 79 - Fax +33 (0) 4 78 90 19 19 / +33 (0) 4 72 79 05 70
Adresses e-mail : sales@tecofi.fr ; tecofi@tecofi.fr / Site web : www.tecofi.fr