

FLANGED TILTING CHECK VALVE

TECHNICAL PASSPORT

TILTING CHECK VALVE - DUCTILE IRON BODY WITH COUNTERWEIGHT AND HYDRAULIC DAMPER PN16

CP 4248

APPLICATION

The TECOFI butterfly valve is suitable for fluid transfer applications in pipe systems requiring protection against reverse flow.

Area of use: pumping stations, water distribution, irrigation, fire protection systems, industry.



Fluids: water, waste water, etc.

GENERAL CHARACTERISTICS

- Range:** from DN350 to DN1200.
- Model with long pattern.
- Designed in accordance with EN12334.
- Sealing provided by seal on butterfly retained by a stainless steel ring.
- Pinned stem/disc connection.
- Double eccentric check valve, prevents wear due to the stainless steel seat attached to the body.
- Optimized maneuvering torque.
- Low pressure drop.
- Easy maintenance.
- Mounting on horizontal or vertical ascending piping subject to modification of the orientation of the counterweight..



STANDARDS

Design	According to standard EN12334
Face to face	Face to face dimensions according to ISO 5752 series 14
Connection	Flanged connection in accordance with EN 1092-2 PN16
Tests	Hydraulic tests according to EN12266-1, DIN 3230, BS 5154 and ISO 5208: <ul style="list-style-type: none">- Body : 24 bar- Seat : 17.6 bar

PRODUCT APPROVALS



Tecofi France

83 rue Marcel Mérieux - 69960 Corbas
Tél. +33 (0)4 72 79 05 79 - Fax. +33 (0)4 78 90 19 19
E-mail : sales@tecofi.fr - www.tecofi.fr

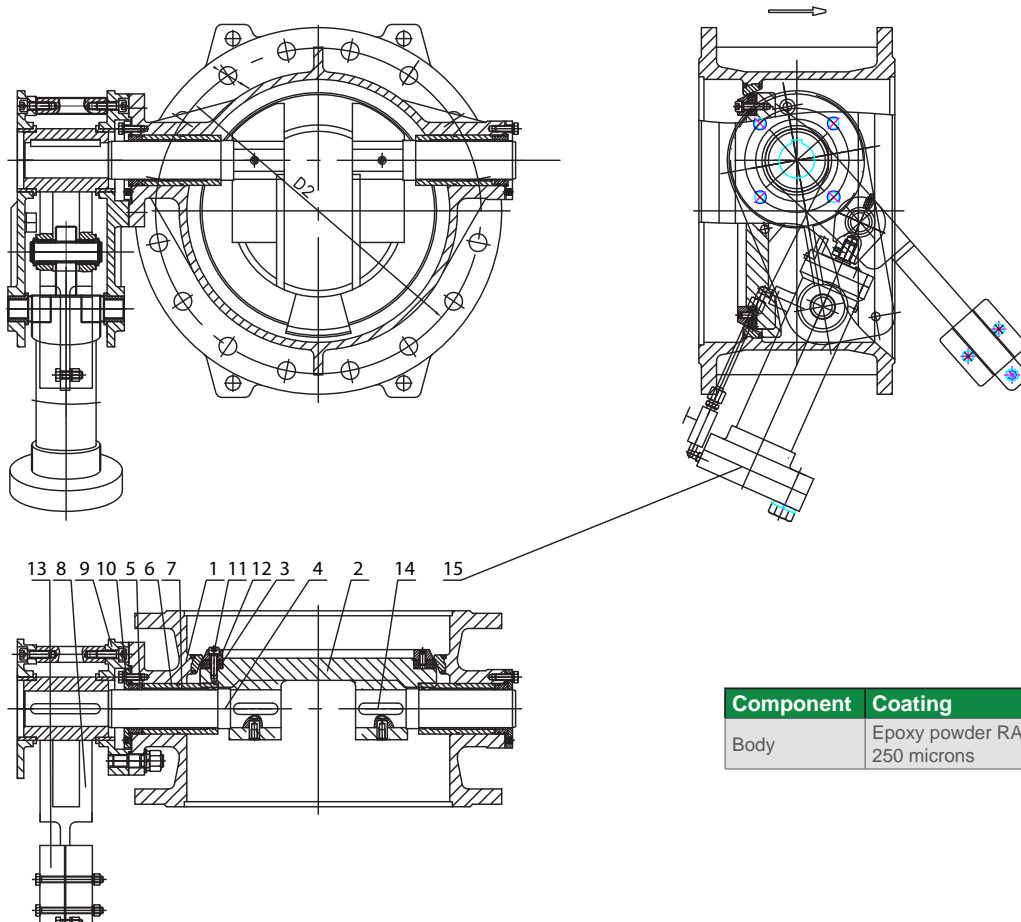


FLANGED TILTING CHECK VALVE

TECHNICAL PASSPORT

CP 4248

CONSTRUCTION DN350-400



Component	Coating
Body	Epoxy powder RAL 5015 250 microns

Pos.	Description	Material	Equivalences		
			DIN	ASTM	BS
1	Body	Ductile iron EN-GJS-500-7	GGG 50	A536 70-50-05	EN-JS1050
2	Disc	Ductile iron EN-GJS-500-7	GGG 50	A536 70-50-05	EN-JS1050
3	Seal ring	EPDM			
4	Shaft	Stainless steel 420	X30Cr13		
5	Sealing bush	Stainless steel X5CrNi 18-10	X5CrNi 18 10	A 182 AISI 304	1449-2 304 S15
6	Bearing sleeve	Stainless steel X5CrNi 18-10	X5CrNi 18 10	A 182 AISI 304	1449-2 304 S15
7	Self-lubricating bearing	Stainless steel X5CrNi 18-10	X5CrNi 18 10	A 182 AISI 304	1449-2 304 S15
8	Lever	Ductile iron EN-GJS-400-15			
9	Board	Steel			
10	Cover	Steel			
11	Screw	A2-70			
12	Retaining ring	Stainless steel X5CrNi 18-10	X5CrNi 18 10	A 182 AISI 304	1449-2 304 S15
13	Counterweight	Cast iron GG25			
14	Key	Stainless steel 420	X30Cr13		
15	Hydraulic damper				

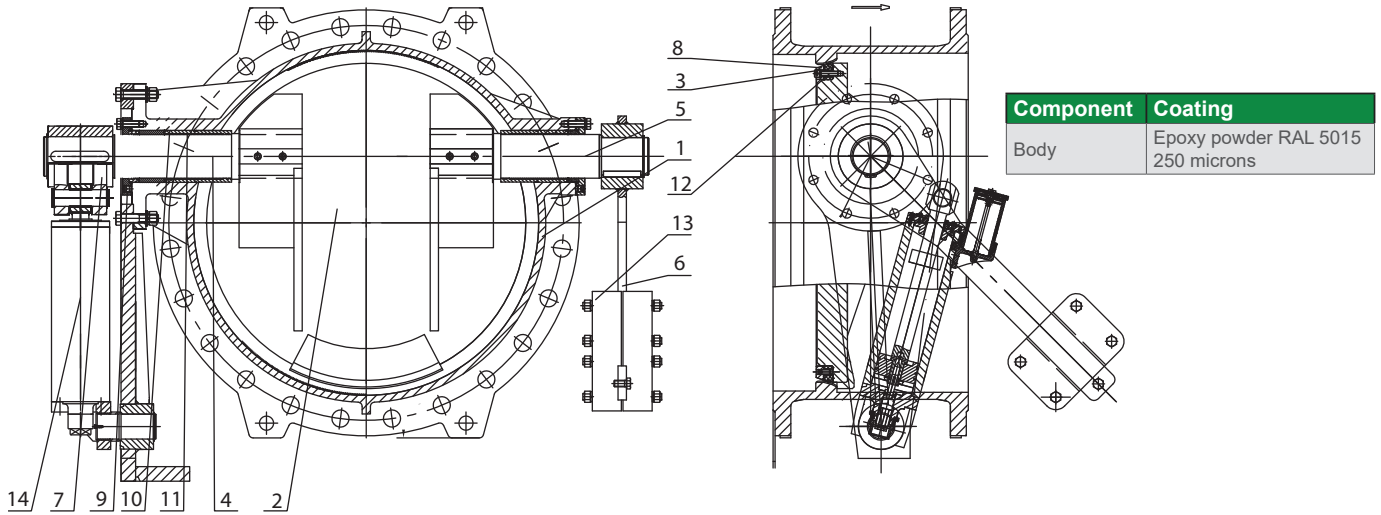
Tecofi France

83 rue Marcel Mérieux - 69960 Corbas
Tél. +33 (0)4 72 79 05 79 - Fax. +33 (0)4 78 90 19 19
E-mail : sales@tecofi.fr - www.tecofi.fr



FLANGED TILTING CHECK VALVE

CONSTRUCTION DN450-1200



Pos.	Description	Material	Equivalences		
			DIN	ASTM	BS
1	Body	Ductile iron EN-GJS-500-7	GGG 50	A536 70-50-05	EN-JS1050
2	Disc	Ductile iron EN-GJS-500-7	GGG 50	A536 70-50-05	EN-JS1050
3	Disc seal ring	EPDM			
4	Shaft	Stainless steel 420	X30Cr13		
5	Shaft	Stainless steel 420	X30Cr13		
6	Connection rod	Steel			
7	Arm of force	Steel			
8	Retaining ring	Stainless steel X5CrNi 18-10	X5CrNi 18 10	A 182 AISI 304	1449-2 304 S15
9	Shaft cover	Carbon steel			
10	Shaft bearing	Stainless steel X5CrNi 18-10	X5CrNi 18 10	A 182 AISI 304	1449-2 304 S15
11	Self-lubricating bearing	Stainless steel X5CrNi 18-10	X5CrNi 18 10	A 182 AISI 304	1449-2 304 S15
12	Screw	A2-70			
13	Counterweight	Cast iron GG25			
14	Hydraulic damper				

Tecofi France

83 rue Marcel Mérieux - 69960 Corbas
Tél. +33 (0)4 72 79 05 79 - Fax. +33 (0)4 78 90 19 19
E-mail : sales@tecofi.fr - www.tecofi.fr

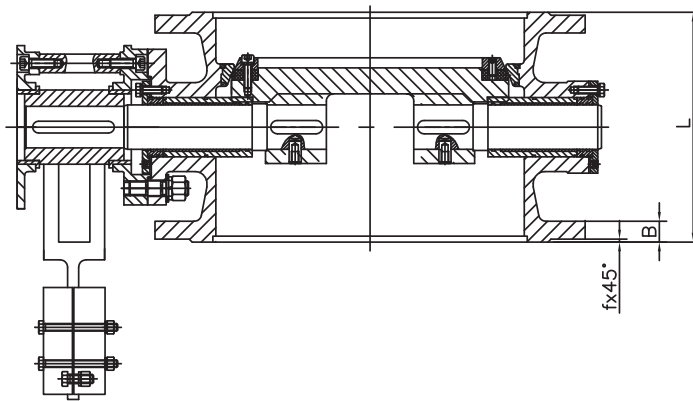
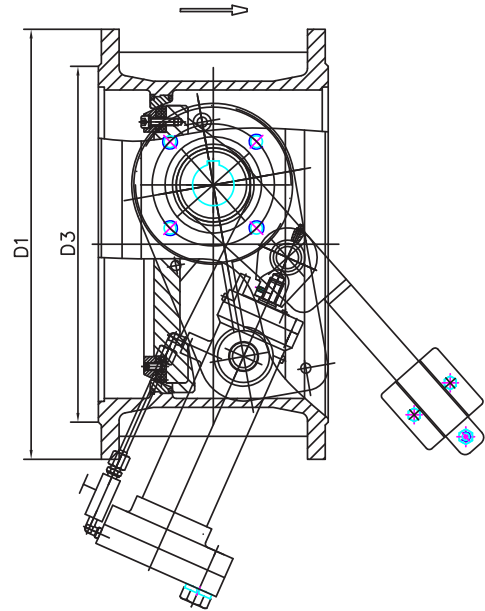
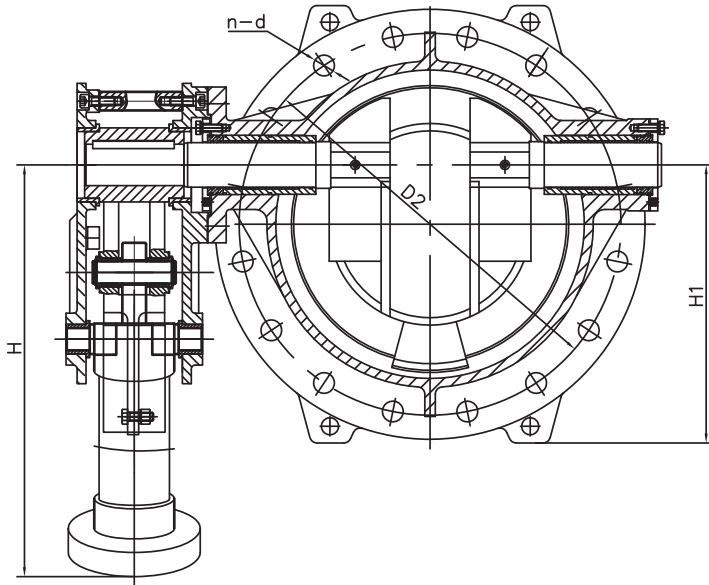


FLANGED TILTING CHECK VALVE

TECHNICAL PASSPORT

CP 4248

DIMENSIONS DN350-400



DN		Ø D1	Ø D2	Ø D3	n x Ø d	B	L	fx45°	H	H1	Weight (kg)
mm	inch										
350	14"	520	470	429	16 x Ø28	26.5	290	4x45°	570	335	225
400	16"	580	525	480	15 x Ø31/(1-M27)	28	310	4x45°	570	375	270

Tecofi France

83 rue Marcel Mérioux - 69960 Corbas
Tél. +33 (0)4 72 79 05 79 - Fax. +33 (0)4 78 90 19 19
E-mail : sales@tecofi.fr - www.tecofi.fr

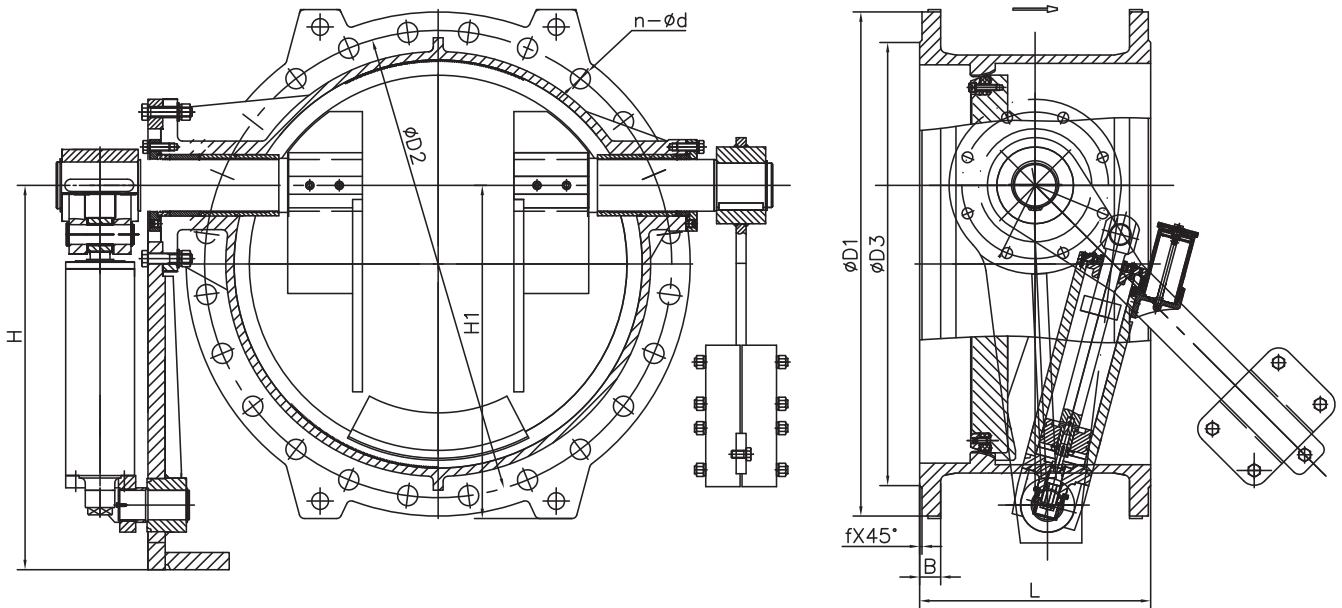


FLANGED TILTING CHECK VALVE

TECHNICAL PASSPORT

CP 4248

DIMENSIONS DN450-1200



DN		Ø D1	Ø D2	Ø D3	n x Ø d	B	L	f	H	H1	Weight (kg)
mm	inch										
450	18"	640	585	548	20 x Ø31	30	330	4x45°	765	415	324
500	20"	715	650	609	20 x Ø34	31.5	350	4x45°	765	462.5	385
600	24"	840	770	720	20 x Ø37	36	390	4x45°	765	545	513
700	28"	910	840	794	24 x Ø37	39.5	430	4x45°	775	600	678
800	32"	1025	950	901	24 x Ø41	43	470	4x45°	775	677.5	891
900	36"	1125	1050	1001	28 x Ø41	46.5	510	4x45°	775	747.5	1243
1000	40"	1255	1170	1112	28 x Ø44	50	550	4x45°	775	832.5	1586
1200	48"	1485	1390	1328	30 x Ø50/(2-M45)	57	630	4x45°	905	985	2623

Tecofi France

83 rue Marcel Mérieux - 69960 Corbas
Tél. +33 (0)4 72 79 05 79 - Fax. +33 (0)4 78 90 19 19
E-mail : sales@tecofi.fr - www.tecofi.fr

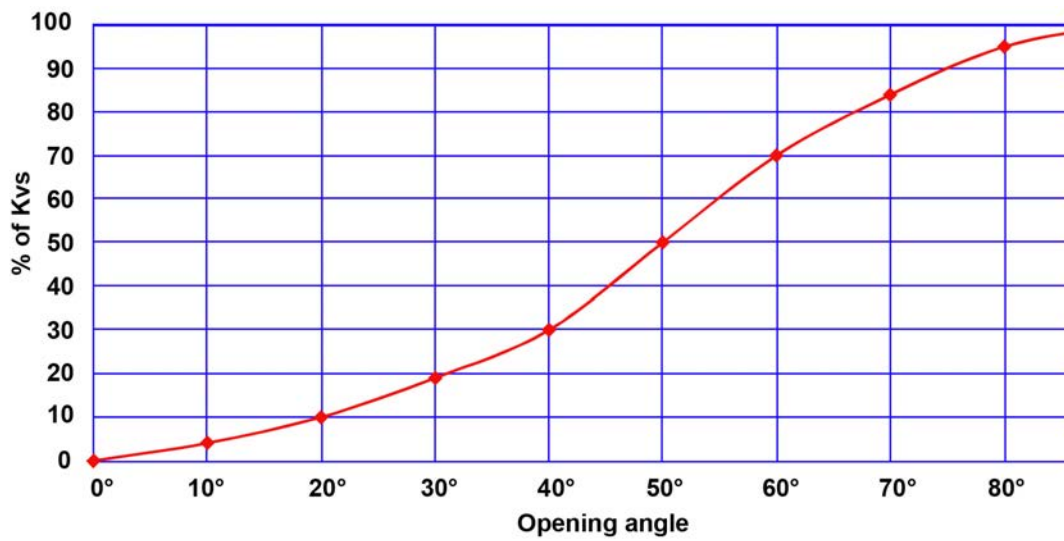


FLANGED TILTING CHECK VALVE

WORKING CONDITIONS

Maximum working pressure : 16 bar
Maximum working temperature : -10°C / +80°C

Flow characteristics



DN	mm	350	400	450	500	600	700	800	900	1000	1200
	inch	14"	16"	18"	20"	24"	28"	32"	36"	40"	48"
Kvs		8000	10900	14200	18250	28000	40500	55100	74000	93338	142516

Tecofi France

83 rue Marcel Mérieux - 69960 Corbas
Tél. +33 (0)4 72 79 05 79 - Fax. +33 (0)4 78 90 19 19
E-mail : sales@tecofi.fr - www.tecofi.fr

