

FLANGED TILTING CHECK VALVE

TECHNICAL PASSPORT

FLANGED PN10/16 TILTING CHECK VALVE WITH COUNTERWEIGHT AND PROTECTION GUARD DUCTILE IRON BODY

CP 4243A

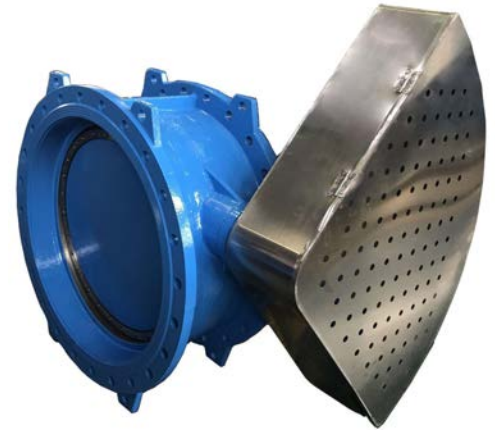
APPLICATION

The TECOFI butterfly valve is suitable for fluid transfer applications in pipe systems requiring protection against reverse flow.

Area of use: pumping stations, water distribution, irrigation, fire protection systems, industry.



Fluids: water, waste water, etc.



GENERAL CHARACTERISTICS

- Model with long pattern.
- Designed in accordance with BS 5153.
- Range :** from DN200 to DN1200.
- Sealing provided by seal on butterfly retained by a stainless steel ring.
- Pinned stem/disc connection.
- Double eccentric check valve, prevents wear due to the stainless steel seat attached to the body.
- Optimized maneuvering torque.
- Low pressure drop.
- Easy maintenance.
- Mounting on horizontal or vertical ascending piping subject to modification of the orientation of the counterweight..

STANDARDS

Design	According to standard BS 5153
Face to face	Face to face dimensions according to ISO 5752 series 14
Connection	Flanged connection in accordance with EN 1092-2 PN10/16
Tests	Hydraulic tests according to EN12266-1, DIN 3230, BS 5154 and ISO 5208: - Body : 24 bar - Seat : 17.5 bar

PRODUCT APPROVALS



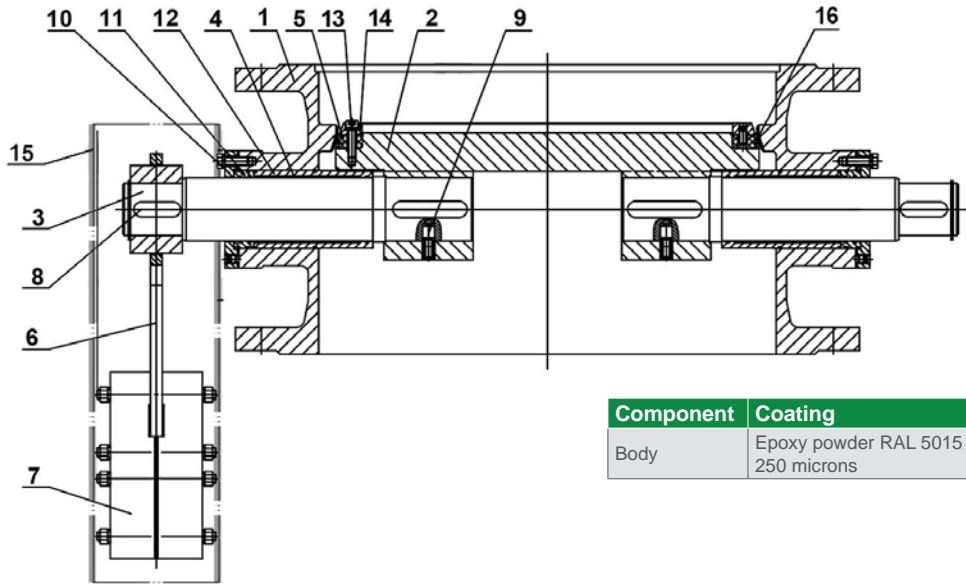
Tecofi France

83 rue Marcel Mérieux - 69960 Corbas
Tél. +33 (0)4 72 79 05 79 - Fax. +33 (0)4 78 90 19 19
E-mail : sales@tecofi.fr - www.tecofi.fr



FLANGED TILTING CHECK VALVE

CONSTRUCTION



Component	Coating
Body	Epoxy powder RAL 5015 250 microns

Pos.	Q-ty	Description	Material	Equivalences		
				DIN	ASTM	BS
1	1	Body	Ductile iron EN-GJS-500-7	GGG 50	A536 70-50-05	EN-JS1050
2	1	Disc	Ductile iron EN-GJS-500-7	GGG 50	A536 70-50-05	EN-JS1050
3	2	Shaft	Stainless steel 420	X30Cr13		
4	2	Self-lubricating bearing	Stainless steel X5CrNi 18-10	X5CrNi 18 10	A 182 AISI 304	1449-2 304 S15
5	1	Disc seal ring	EPDM			
6	1	Lever	Welded steel			
7	1	Counterweight	Cast iron GG25			
8	4	Key	Stainless steel 420	X30Cr13		
9	2	Pin	Stainless steel 420	X30Cr13		
10	2	Cover	Epoxy coated steel			
11	2	Seal bush	Stainless steel X5CrNi 18-10	X5CrNi 18 10	A 182 AISI 304	1449-2 304 S15
12	2	Bush	Stainless steel X5CrNi 18-10	X5CrNi 18 10	A 182 AISI 304	1449-2 304 S15
13	*	Screw	A2-70			
14	1	Retaining ring	Stainless steel X5CrNi 18-10	X5CrNi 18 10	A 182 AISI 304	1449-2 304 S15
15	1	Protection guard	Stainless steel			
16	1	Body seal ring	Stainless steel X5CrNi 18-10	X5CrNi 18 10	A 182 AISI 304	1449-2 304 S15

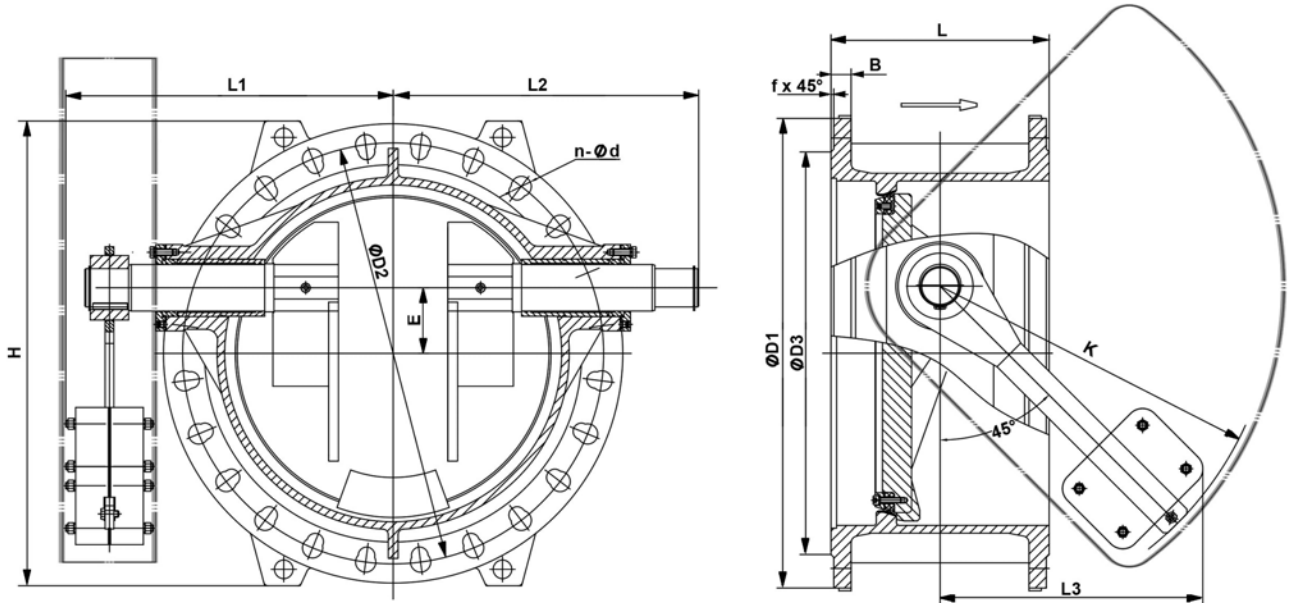
Tecofi France

83 rue Marcel Mérieux - 69960 Corbas
Tél. +33 (0)4 72 79 05 79 - Fax. +33 (0)4 78 90 19 19
E-mail : sales@tecofi.fr - www.tecofi.fr



FLANGED TILTING CHECK VALVE

DIMENSIONS



DN	Ø D1		Ø D2		Ø D3		n x Ø d		B	L	f	H	K	L1	L2	L3	E	Weight (kg)
	mm	inch	PN10	PN16	PN10	PN16	PN10	PN16										
200	8"	340	295	295	266	266	8 x Ø23	12 x Ø23	20	230	3x45°	350	200	280	260	180	50	45
250	10"	405	350	355	319	319	12 x Ø23	12 x Ø28	22	250	3x45°	420	300	314	305	247	62.5	76
300	12"	460	400	410	370	370	12 x Ø23	12 x Ø28	26.5	290	4x45°	530	350	351	344	300	70	102
350	14"	520	460	470	429	429	16 x Ø23	16 x Ø28	26.5	290	4x45°	530	350	423	400	300	70	140
400	16"	580	515	525	480	480	15 x Ø28 / (1-M24)	15 x Ø31 / (1-M27)	28	310	4x45°	590	400	454	429	340	80	176
450	18"	640	565	585	548	548	20 x Ø28	20 x Ø31	30	330	4x45°	650	450	489	464	356	90	245
500	20"	715	620	650	609	609	20 x Ø28	20 x Ø34	31.5	350	4x45°	725	500	551	517	395	100	300
600	24"	840	725	770	720	720	20 x Ø31	20 x Ø37	36	390	4x45°	850	600	632	552	471	120	432
700	28"	910	840	840	794	794	24 x Ø31	24 x Ø37	39.5	430	4x45°	920	700	675	635	546	140	565
800	32"	1025	950	950	901	901	24 x Ø34	24 x Ø41	43	470	4x45°	1035	800	741	710	610	160	833
900	36"	1125	1050	1050	1001	1001	28 x Ø34	28 x Ø41	46.5	510	4x45°	1135	880	1043	978	657	150	1081
1000	40"	1255	1160	1170	1112	1112	28 x Ø37	28 x Ø44	50	550	4x45°	1265	1000	1015	960	752	200	1268
1200	48"	1485	1380	1390	1328	1328	30 x Ø41 / (2-M36)	30 x Ø50 / (2-M45)	57	630	4x45°	1495	1230	1097	1048	971	240	2127

The photographs and technical art works are not contractual. The specifications of the presented products are open to modifications without previous advice

Tecofi France

83 rue Marcel Mérieux - 69960 Corbas
Tél. +33 (0)4 72 79 05 79 - Fax. +33 (0)4 78 90 19 19
E-mail : sales@tecofi.fr - www.tecofi.fr

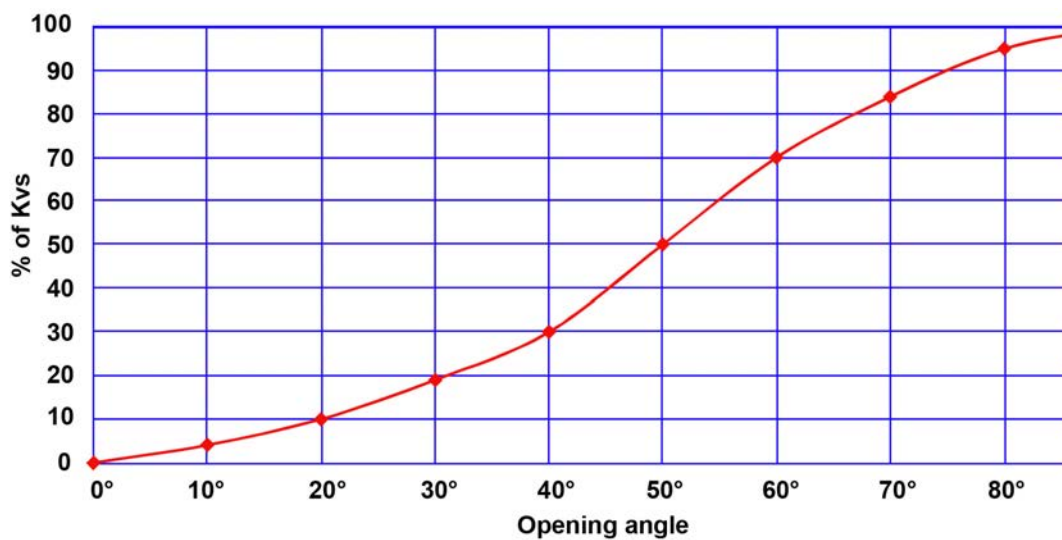


FLANGED TILTING CHECK VALVE

WORKING CONDITIONS

Maximum working pressure : 16 bar
Maximum working temperature : -10°C / +80°C

Flow characteristics



DN	mm	200	250	300	350	400	450	500	600	700	800	900	1000	1200
	inch	8"	10"	12"	14"	16"	18"	20"	24"	28"	32"	36"	40"	48"
Kvs		1880	3800	4950	8000	10900	14200	18250	28000	40500	55100	74000	93338	142516

The photographs and technical art works are not contractual. The specifications of the presented products are open to modifications without previous advice

Tecofi France

83 rue Marcel Mérieux - 69960 Corbas
Tél. +33 (0)4 72 79 05 79 - Fax. +33 (0)4 78 90 19 19
E-mail : sales@tecofi.fr - www.tecofi.fr

