

Ref. : CP4240.pas

Rev. : E

Date : 11/04/2014

Page : 1/1

# TILTING TYPE CHECK VALVE PN16

## CP 4240



**Tecofi'**  
VALVE DESIGNER - FRANCE

### APPLICATION

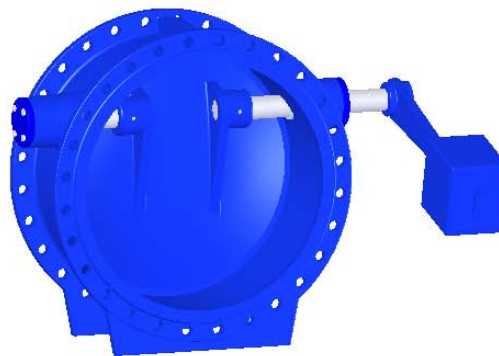
General uses: drinkable water, dirty fluids, industry.

### GENERAL CHARACTERISTICS

Range : from DN 150 to DN 1200.  
Low head losses.  
Maintenance free.  
Complete sealing (double eccentric arrangement of disc).  
Mounting horizontally or vertically.  
Bearings self lubricated.  
With or without counterweight.

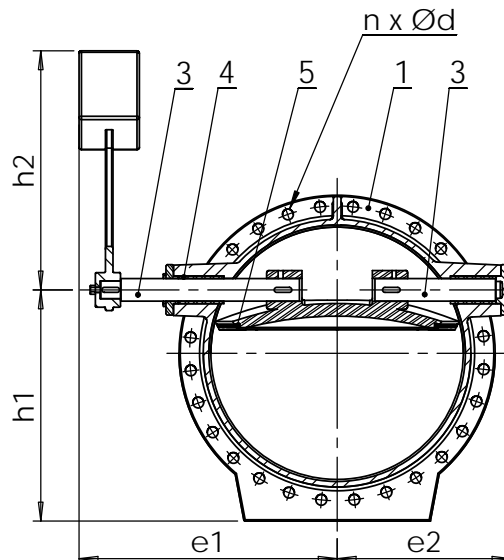
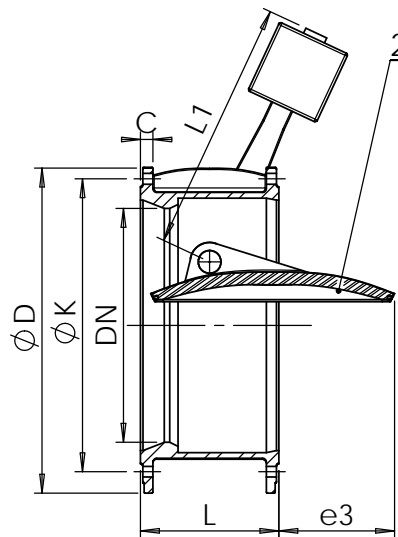
### CONSTRUCTION

5	1	Gasket	EPDM
4	2	Bushing	Bronze
3	2	Shaft	Stainless steel X20 Cr13
2	1	Disc	Ductile iron GGG50
1	1	Body	Ductile iron GGG50
<b>Pos.</b>	<b>Qty.</b>	<b>Description</b>	<b>Material</b>



### DIMENSIONS

DN	ØD	ØK	n x Ød	C	L	L1	e1	e2	e3	h1	h2	Weight (kg)
150	285	240	8 x Ø23	19,0	210	200	245	230	9	180	188	35
200	340	295	12 x Ø23	20,0	230	200	268	252	35	220	188	43
250	405	355	12 x Ø28	22,0	250	300	331	305	68	265	280	73
300	460	410	12 x Ø28	24,5	270	300	343	317	87	305	280	96
350	520	470	16 x Ø28	26,5	290	400	415	382	117	357	372	136
400	580	525	16 x Ø31	28,0	310	400	445	412	138	400	372	168
450	640	585	20 x Ø31	30,0	330	450	470	443	165	442	418	237
500	715	650	20 x Ø34	31,5	350	500	522	490	188	492	465	294
600	840	770	20 x Ø37	36,0	390	600	594	567	238	570	555	423
700	910	840	24 x Ø37	39,5	430	700	706	661	304	640	650	550
800	1025	950	24 x Ø41	43,0	470	800	746	711	354	720	736	820
900	1125	1050	28 x Ø41	46,5	510	900	805	780	400	797	830	1060
1000	1255	1170	28 x Ø44	50,0	550	1000	875	863	460	887	923	1245
1200	1485	1390	32 x Ø50	57,0	630	1200	960	938	568	1055	1110	1810



### WORKING CONDITIONS

Maximum working pressure : 16bar.  
Maximum temperature : + 80°C.

### AGREEMENT AND TESTING

Test procedures are established according to BS 6755.  
Face to face according to NF EN558-1 serie 14, DIN 3202/1 serie F4.  
Flanges drilled according to EN 1092-2, ISO2531 and DIN 2501 : ISO PN16.

**TECOFI France** - 83, Rue Marcel Mérieux 69960 Corbas - FRANCE  
Tél. +33 (0) 4 72 79 05 79 - Fax +33 (0) 4 78 90 19 19 / +33 (0) 4 72 79 05 70  
Adresses e-mail : sales@tecofi.fr ; tecofi@tecofi.fr / Site web : [www.tecofi.fr](http://www.tecofi.fr)