

Ref. : CE 4252

Rev. : A

Date : 31/01/2018

Page : 1/1

FLANGED TYPE PN25 WOLTMANN WATER METER

CE 4252



APPLICATION

Water distribution.

GENERAL CHARACTERISTICS

Individual water meter with very high accuracy.
Horizontal installation.
Dry dial.
Low pressure drop.
Easy maintenance.

DIMENSIONS

DN	mm	60	65	80	100	125	150	200	250	300	400	500
	inch	2"	2"1/2"	3"	4"	5"	6"	8"	10"	12"	16"	20"
L		200	200	225	250	250	300	350	450	500	600	800
H		252	262	272	282	297	341	371	480	516	647	785

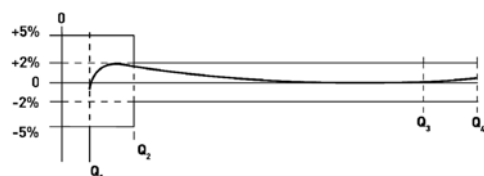
FLOWS

DN		Permanent flow	Maximum flow	Transition flow	Minimum flow	Working pressure	Minimum value	Maximum value	Temperature range
mm	inch	Q ₃ (m ³ /h)	Q ₄ (m ³ /h)	Q ₂ (l/h)	Q ₁ (l/h)	(bar)	(liter)	(m ³)	
50	2"	40	50	800	500	25	0,5	999.999	T30/T50
65	2"1/2"	63	78,75	1260	788	25	0,5	999.999	T30/T50
80	3"	63	78,75	1260	788	25	0,5	999.999	T30/T50
100	4"	100	125	2000	1250	25	0,5	999.999	T30/T50
125	5"	160	200	3200	2000	25	0,5	999.999	T30/T50
150	6"	250	312	5000	3125	25	5	9.999.999	T30/T50
200	8"	400	500	8000	5000	25	5	9.999.999	T30/T50
250	10"	630	787,5	12600	7875	25	50	99.999.999	T30/T50
300	12"	1000	1250	20000	12500	25	50	99.999.999	T30/T50
400	16"	1600	2000	32000	20000	25	50	99.999.999	T30/T50
500	20"	2500	3125	50000	31250	25	50	99.999.999	T30/T50

WORKING CONDITIONS

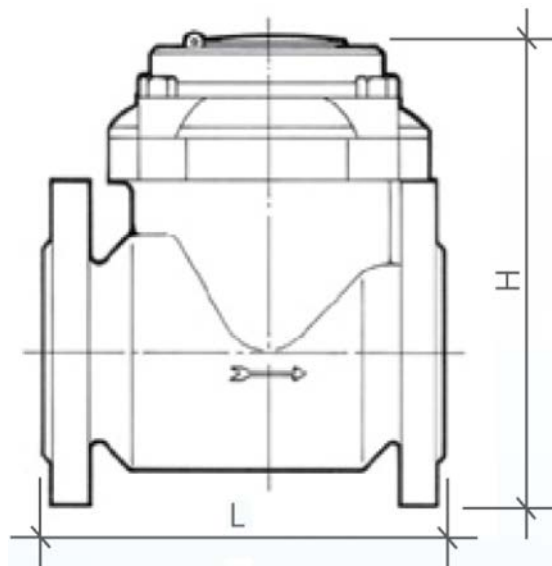
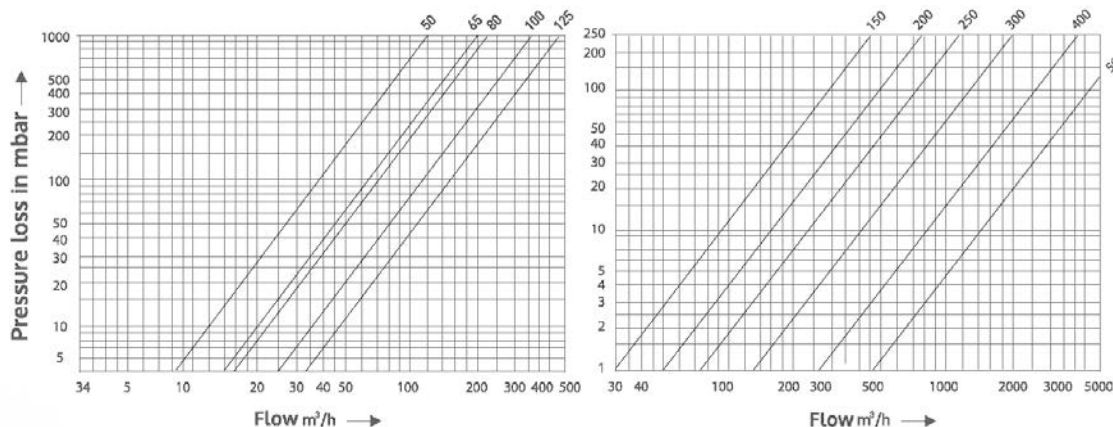
Maximum working pressure: 25 bar.

TYPICAL ACCURACY CURVE



Metrological range MID (Q₃/Q₁) R=80

HEAD LOSS



TECOFI France - 83, Rue Marcel Mérieux 69960 Corbas - FRANCE
Tél. +33 (0) 4 72 79 05 79 - Fax +33 (0) 4 78 90 19 19 / +33 (0) 4 72 79 05 70
Adresses e-mail : sales@tecofi.fr ; tecofi@tecofi.fr / Site web : www.tecofi.fr