

Ref. : CE 4240

Rev. : Initial

Date : 11/02/2015

Page : 1/1

# FLANGED PN16 WOLTMANN WATER METER

## CE 4240



**Tecofi**  
VALVE DESIGNER - FRANCE

### APPLICATION

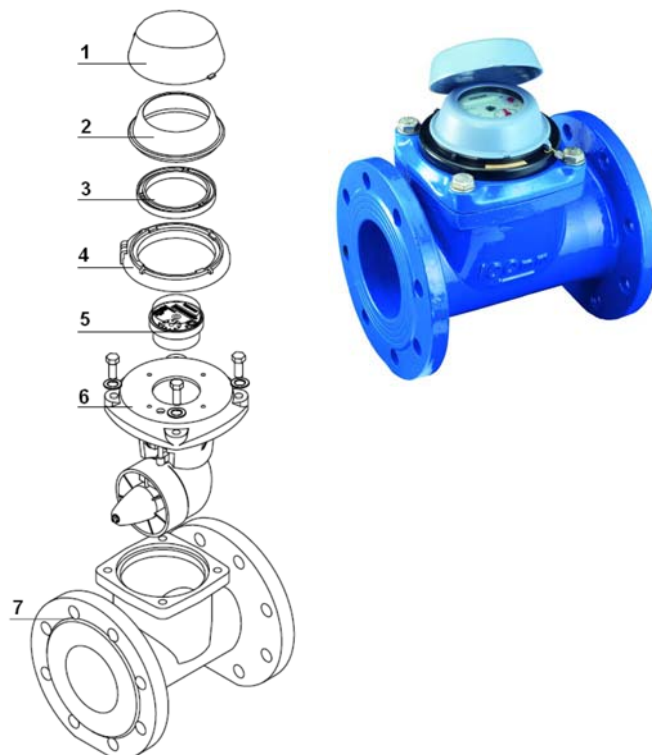
Water distribution.

### GENERAL CHARACTERISTICS

Horizontal Woltmann with interchangeable insert  
Pre-equipped for pulse emitter  
**B class** in horizontal position with horizontal dial  
**A Class** in vertical position or in horizontal position with vertical dial.  
The mounting direction is indicated by the arrow on the body.  
Dry rotating dial  
Magnetic transmission  
Direct reading on numerical rolls  
With lid  
Cast iron body

### CONSTRUCTION

7	Body	Cast iron
6	Internal part	
5	Mechanism	With PC + glass 5 mm
4	Ring with hinge	
3	Holding ring	
2	Closing cup	
1	Lid	
<b>Pos.</b>	<b>Description</b>	<b>Material</b>



### DIMENSIONS

DN		L	H	h	C	K	D	Nb x ØL	e	b	Maximum flow (m3/h)	Weight (kg)
mm	inch											
50	2"	200	125	75	102	125	165	4x18	2	20	30	12.5
65	2" 1/2	200	126	83	122	145	185	4x18	2	18	50	14
80	3"	225	172	95	138	160	200	8x18	2	20	80	15
100	4"	250	172	105	158	180	220	8x18	2	20	120	18
125	5"	250	172	120	188	210	250	8x18	2	22	200	20
150	6"	300	172	135	212	240	285	8x22	2	22	300	31.5
200	8"	350	201	160	268	295	340	12x22	2	23	500	46

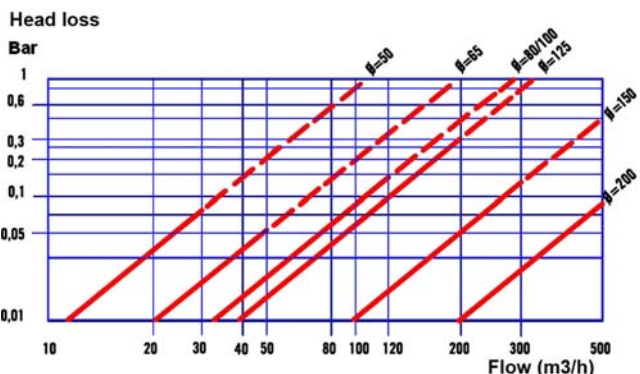
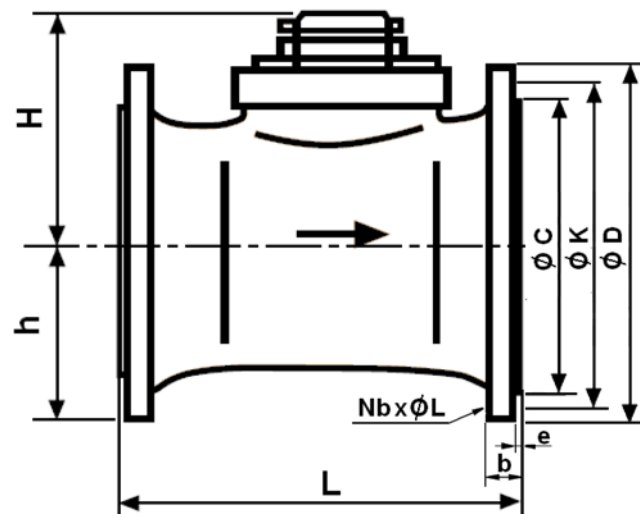
### WORKING CONDITIONS

Maximum working pressure : 16 bar.  
Maximum working temperature : 0°C / + 30°C.

Test pressure according to EN 12266-1,  
DIN 3230, BS 6755 and ISO 5208 :  
Body : 24 bar.

### STANDARDS

Flange connection ISO PN10/16 from DN50 to DN150  
and ISO PN16 for DN200 according to EN 1092-2.



**TECOFI France** - 83, Rue Marcel Mérieux 69960 Corbas - FRANCE  
Tél. +33 (0) 4 72 79 05 79 - Fax +33 (0) 4 78 90 19 19 / +33 (0) 4 72 79 05 70  
Adresses e-mail : sales@tecofi.fr ; tecofi@tecofi.fr / Site web : www.tecofi.fr