

Ref. : CE 1150EF.pas

Rev. : Initial

Date : 15/12/2014

Page : 1/1

# MULTI JET COLD WATER METER CLASS B

## CE 1150EF



**Tecofi**  
VALVE DESIGNER - FRANCE

### APPLICATION

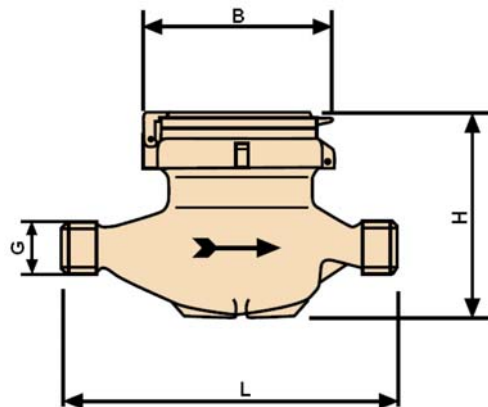
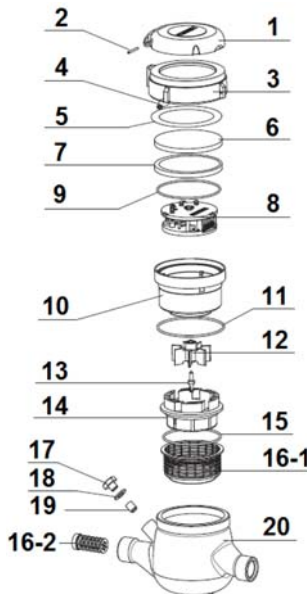
Water distribution.

### GENERAL CHARACTERISTICS

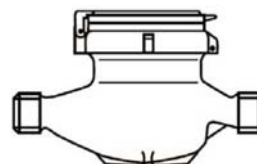
Multi jet type;  
B class in horizontal position  
(respect the flow direction indicated by the arrow).  
Wet dial (be careful non rotating).  
Mechanical transmission.  
Direct reading on numerical rolls.  
With lid.  
Brass body.

### CONSTRUCTION

20	Brass body
19	Adjusting screw
18	Gasket
17	Screw
16-2	Strainer (only for bore 25 and 30)
16-1	Strainer (only for bore 15,20,40 and 30)
15	O-ring
14	Vane wheel case
13	Pivot
12	Vane wheel
11	O-ring
10	Mechanism case
9	O-ring
8	Totalising mechanism
7	Holding ring
6	Mineral glass 5 mm
5	Sliding gasket
4	lead
3	brass sealing ring
2	Hinge
1	Plastic lid
<b>Item</b>	<b>Description</b>



**Horizontal Mounting with dial only in horizontal position**



### DIMENSIONS

DN	G	L	B	H	Weight (kg)
15	3/4"	170	100	109	1,35
20	1"	190	100	111	1,45
25	1"1/4	260	104	117	2,04
30	1"1/2	260	104	117	2,11
40	2"	300	126	153	4,58
60	2"1/2	300	160	172	7,25

### WORKING CONDITIONS

Maximum working pressure: 16 bar.  
Maximum temperature : 0°C / +30°C.

### STANDARDS :

Fabrication according to ISO 9001 : 2008 ICIM and IQNET.  
DIRECTIVE 2014/68/UE : Products excluded from directive ( article 1, § 3.2 )  
Approbation CEE 75/33 ISO 4064.  
French water agreement A.C.S. N° 11 ACC LY 221.  
Approval certificate Ukrainian UKRSEPRO.  
Approval food certificate TIFQ DM 174/2004.  
Threaded male BSP cylindrical according to ISO 228-1.