

Ref. : CE 1141EF

Rev. : Initial

Date : 29/05/2015

Page : 1/1

SINGLE JET WATER METER

CE 1141EF



APPLICATION

Water distribution.

GENERAL CHARACTERISTICS

very good accuracy.
 Brass body.
 Gyrotory dial.
 Installation in horizontal or vertical position.
 Dry dial-Drive transfer with magnetic clutch.
 Counter with 5 numbers. And 4 clock.
 ISO-4064 Class - B

DIMENSIONS

DN	G	L	L1	B	H	Weight (kg)
15	3/4"	180	110	80	86	0,6
20	1"	220	130	80	86	0,8

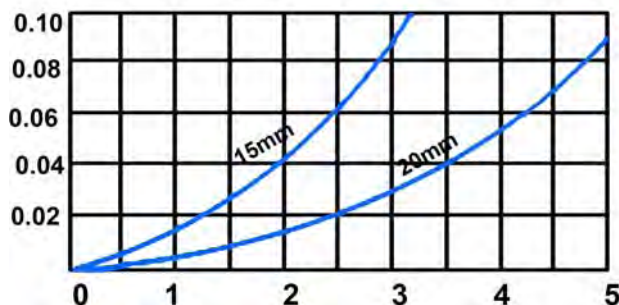
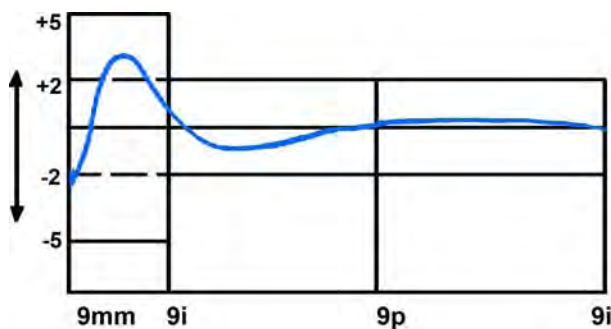
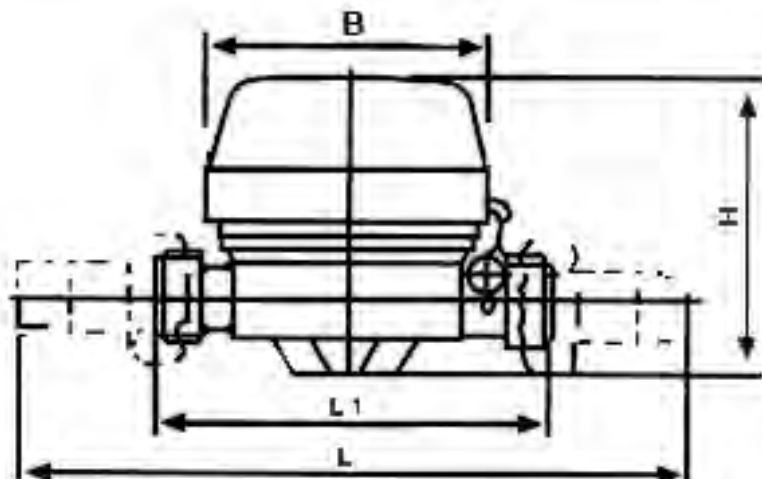


FLOW CHARACTERISTICS

Characteristics	DN15	DN20
Nominal flow Qn	1,5 m3/h	2,5 m3/h
Maximum flow	3,0 m3/h	5,0 m3/h
Minimum flow	0,030 l/h	0,050 l/h

WORKING CONDITIONS

Maximum working pressure: 16 bar.
 Maximum temperature : +40°C.



The photographs and technical art works are not contractual. The specifications of the presented products are open to modifications without previous advice.