

TERMINAL CHECK VALVE

TECHNICAL PASSPORT

POLYAMIDE TERMINAL CHECK VALVE

CBT9200

APPLICATION

TECOFI terminal check valve is used to protect pipes against the rise of fluid and the passage of animals

Areas of use: Treatment of domestic and industrial wastewater, irrigation, networks, rainwater and runoff reservoirs



Fluids: protection against the risk of backflow flooding.



GENERAL CHARACTERISTICS

Range: from DN100 to DN200.

- Body and plate in polyamide reinforced with 20% glass fibers.
- Low mass structure with minimum face to face
- Easy and quick instauration
- Reduced pressure drop.
- Installation at the end of the networks on a vertical wall or a standard flange.
- Perfect seal ensured with gasket
- Optimal sealing ensured by a lip seal.

Product advantage:

- Low weight for high pressure resistance
- Great long-term resistance to weathering, UV, ozone, to chemical attacks, mechanical stresses.

STANDARDS

Connection	ISO PN10 flange mounting
-------------------	--------------------------

HOMOLOGATIONS PRODUITS

ERC

Tecofi France

83 rue Marcel Mérieux - 69960 Corbas
Tél. +33 (0)4 72 79 05 79 - Fax. +33 (0)4 78 90 19 19
E-mail : sales@tecofi.fr - www.tecofi.fr



TERMINAL CHECK VALVE

TECHNICAL PASSPORT

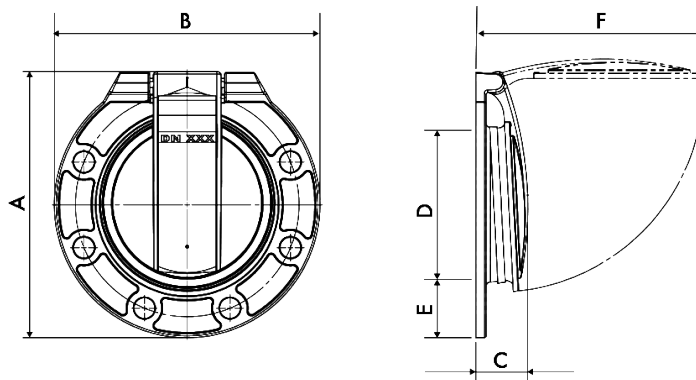
CBT9200

CONSTRUCTION



Pos.	Description	Material	
1	Body	20% Glass fibers reinforced polyamide	PA6-20FDV
2	Plate	20% Glass fibers reinforced polyamide	PA6-20FDV
3	Gasket	EPDM	

DIMENSIONS



DN		A	B	C	D	E	F	G	Weight (kg)
mm	inch								
100	4"	225	220	45	110	55	188	220	0.4
150	6"	285	285	55	160	63	244	285	0.6
200	8"	342	342	65	200	75	296	340	0.9

WORKING CONDITIONS

Maximum working pressure : 10 mWC

Tecofi France

83 rue Marcel Mérieux - 69960 Corbas
 Tél. +33 (0)4 72 79 05 79 - Fax. +33 (0)4 78 90 19 19
 E-mail : sales@tecofi.fr - www.tecofi.fr

