

FLANGED BALL CHECK VALVE

TECHNICAL PASSPORT

BALL CHECK VALVE - STAINLESS STEEL BODY FLANGE CONNECTION

CBL 6240

APPLICATION

The TECOFI ball check valve is suitable for wastewater transfer applications and for heavy or viscous fluids.

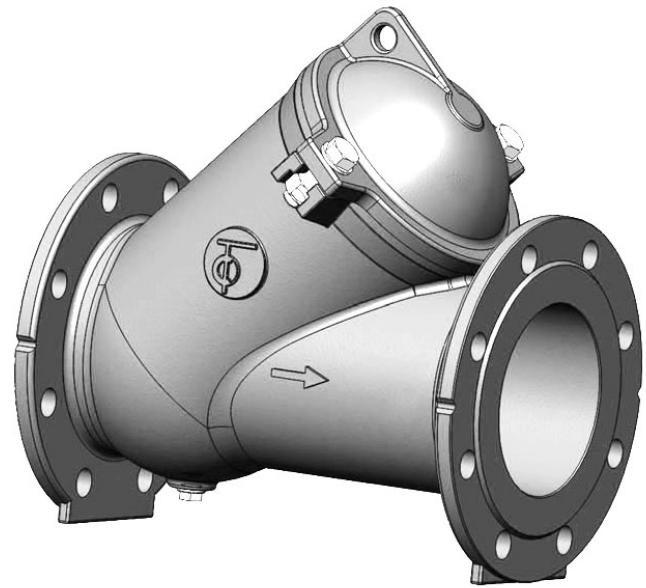


General use: discharge of wastewater, purification, sanitation, pumping

GENERAL CHARACTERISTICS

Range: from DN40 to DN400.

- Design according to EN 16767.
- Resilient seated non return check valve.
- Mounting direction is indicated by an arrow on the body.
- Self-cleaning ball that moves freely in the body,
- Low pressure drop.
- Complete erasure of the ball allowing full passage.
- Mounting in horizontal or vertical ascending position.
- Lifting ring on the bonnet for easy handling.
- Easy maintenance thanks to the easy disassembly of the bonnet.
- Plug for unclogging the ball under the body.



STANDARDS

Design	Meets the requirements of European Directive 2014/68/UE: «Equipment under pressure» modulate H.
Face to face	Face to face dimension according to NF EN 558-1 serie 48, DIN 3202/1 serie F6.
Connection	Flanged connection EN 1092-2 : ISO PN 10/16 from DN50 to DN150 ; ISO PN10 in standard (or ISO PN16 by request) from DN200 to DN400 For ASA 150 from DN50 to DN400 - by request
Tests	Hydraulic tests according to EN12266-1, DIN 3230, BS 6755 and ISO 5208: - Body : WP x 1.5 bar - Seat : WP x 1.1 bar

PRODUCT APPROVALS



Tecofi France

83 rue Marcel Mérieux - 69960 Corbas
Tél. +33 (0)4 72 79 05 79 - Fax. +33 (0)4 78 90 19 19
E-mail : sales@tecofi.fr - www.tecofi.fr

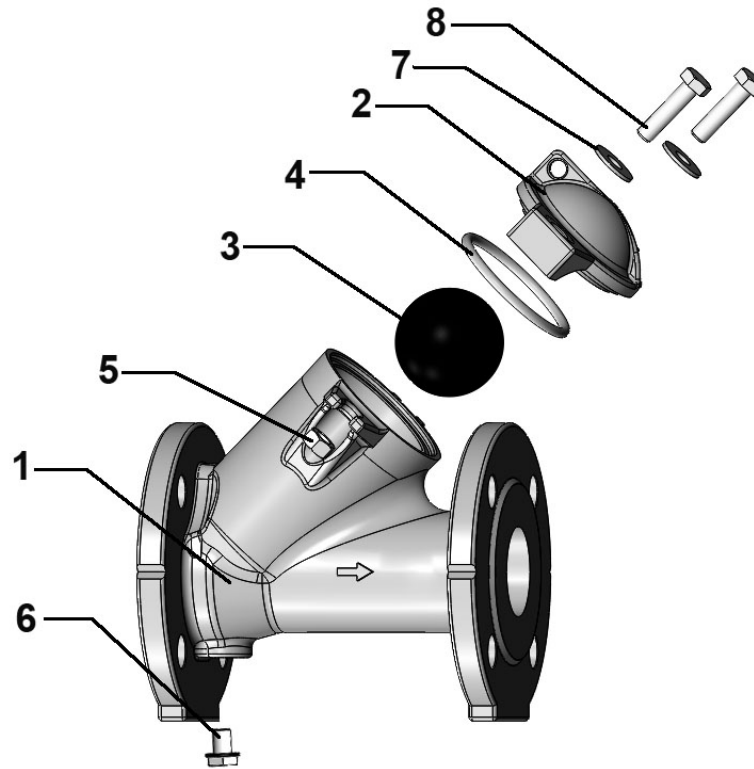


FLANGED BALL CHECK VALVE

TECHNICAL PASSPORT

CBL 6240

CONSTRUCTION



Pos.	Q-ty	Description	Material	Equivalences		
				DIN	ASTM	BS
1	1	Body	DN50-200 : Stainless steel 316 (A351 CF8M) DN250-400 : Stainless steel			
2	1	Bonnet	Stainless steel 316 (A351 CF8M)			
3	1	Ball	DN50-200 = Aluminium + NBR DN250-400 = Ductile iron EN-GJS-400-15 + NBR			
4	1	Gasket	NBR			
5	n*	Nut	Stainless steel A2-70			
6	2	Plug	Carbon steel			
7	n*	Washer	Stainless steel A2-70			
8	n*	Screw	Stainless steel A2-70			
9	1	Nameplate				

n* - **2** (DN50-200) / **4** (DN250-350) / **6** (DN400)

Tecofi France

83 rue Marcel Mérieux - 69960 Corbas
Tél. +33 (0)4 72 79 05 79 - Fax. +33 (0)4 78 90 19 19
E-mail : sales@tecofi.fr - www.tecofi.fr

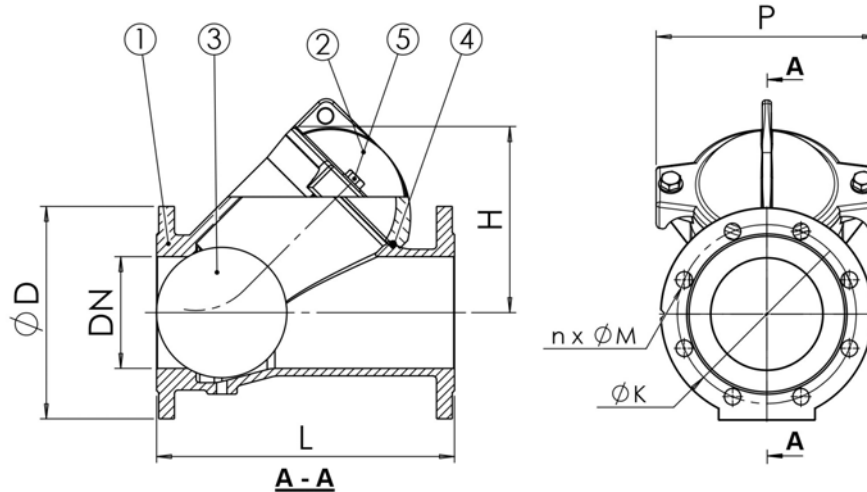


FLANGED BALL CHECK VALVE

TECHNICAL PASSPORT

CBL 6240

DIMENSIONS



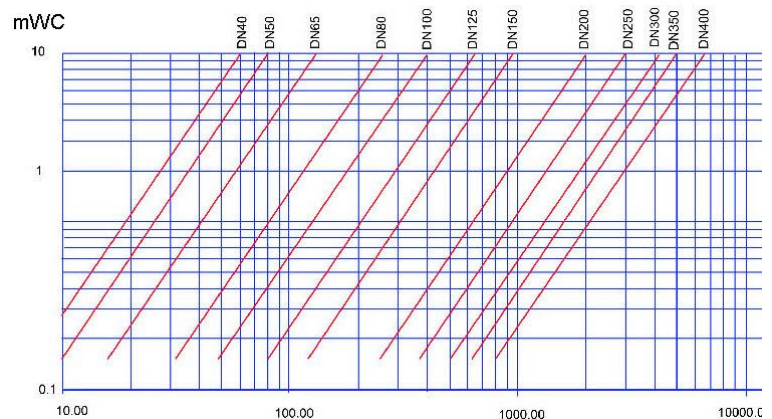
DN		L	H	P	Ø D	Ø K	n	Ø M	Cracking pressure (mbar)	Weight (kg)
mm	inch									
50	2"	200	115	139.3	165	125	4	19	12.6	8.5
65	2 1/2"	240	135	155	185	145	4	19	20.5	12.5
80	3"	260	160	185.2	200	160	8	19	12.0	15.6
100	4"	300	186	219.2	220	180	8	19	16.0	21.0
125	5"	350	222	255	250	210	8	19	41.6	30.0
150	6"	400	268	289	285	240	8	23	25.7	41.0
200	8"	500	353	369	340	295	8	23	26.7	69.0
250	10"	600	418	380	400	350	12	23	32.5	125.0
300	12"	700	495	445	455	400	12	23	35.7	178.0
350	14"	800	580	520	505	460	16	23	54.2	290.0
400	16"	900	730	712	565	515	16	26	64.0	450.0

WORKING CONDITIONS

Maximum working pressure : 16 bar (DN50-150)
10 bar (DN200-400)
Maximum working temperature : -10°C / +80°C.

⚠ Please consult us in the case of using under low load.

HEAD LOSS CHART



Tecofi France

83 rue Marcel Mérieux - 69960 Corbas
Tél. +33 (0)4 72 79 05 79 - Fax. +33 (0)4 78 90 19 19
E-mail : sales@tecofi.fr - www.tecofi.fr

