

THREADED BALL CHECK VALVE

TECHNICAL PASSPORT

**FEMALE / FEMALE THREADED
BALL CHECK VALVE
STAINLESS STEEL BODY**

CBL 6149

APPLICATION

The TECOFI ball check valve is suitable for wastewater transfer applications and for heavy or viscous fluids.



General use: discharge of wastewater, purification, sanitation, pumping

GENERAL CHARACTERISTICS

Range: from DN1"1/4 to DN2".

- Ball non return check valve.
- Mounting direction is indicated by an arrow on the body.
- Self-cleaning ball that moves freely in the body,
- Low pressure drop.
- Complete erasure of the ball allowing full passage.
- Mounting in horizontal or vertical ascending position.
- Easy maintenance thanks to bolted bonnet.



STANDARDS

Design	Meets the requirements of ISO 9001 : 2015 certification
Connection	Female / female threaded cylindrical BSP
Tests	Tested individually at 3 bars of compressed air

PRODUCT APPROVALS



Tecofi France

83 rue Marcel Mérieux - 69960 Corbas
Tél. +33 (0)4 72 79 05 79 - Fax. +33 (0)4 78 90 19 19
E-mail : sales@tecofi.fr - www.tecofi.fr

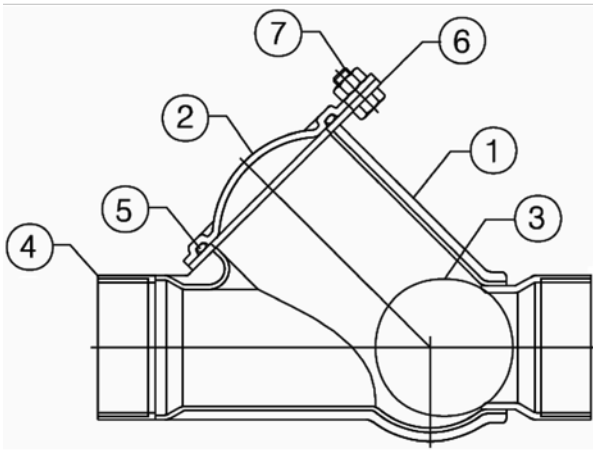


THREADED BALL CHECK VALVE

TECHNICAL PASSPORT

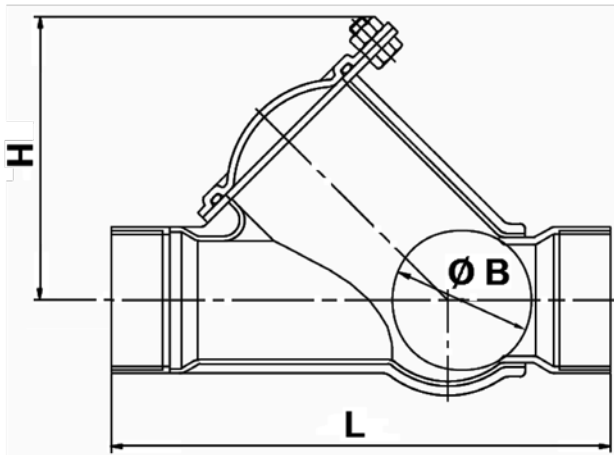
CBL 6149

CONSTRUCTION



Pos.	Description	Material
1	Body	Stainless steel EN 1.4401
2	Bonnet	Stainless steel EN 1.4401
3	Ball	Aluminium FPM coated
4	Nipple	Stainless steel EN 1.4401
5	Bonnet gasket	FPM
6	Collar	Stainless steel EN 1.4401
7	Bolting	Stainless steel EN 1.4401

DIMENSIONS



DN		L	H	Weight (kg)
mm	inch			
32	1"1/4	175	99	1.1
40	1»1/2	190	99	1.18
50	2"	210	112	1.61

The photographs and technical art works are not contractual. The specifications of the presented products are open to modifications without previous advice

Tecofi France

83 rue Marcel Mérieux - 69960 Corbas
 Tél. +33 (0)4 72 79 05 79 - Fax. +33 (0)4 78 90 19 19
 E-mail : sales@tecofi.fr - www.tecofi.fr



THREADED BALL CHECK VALVE

TECHNICAL PASSPORT

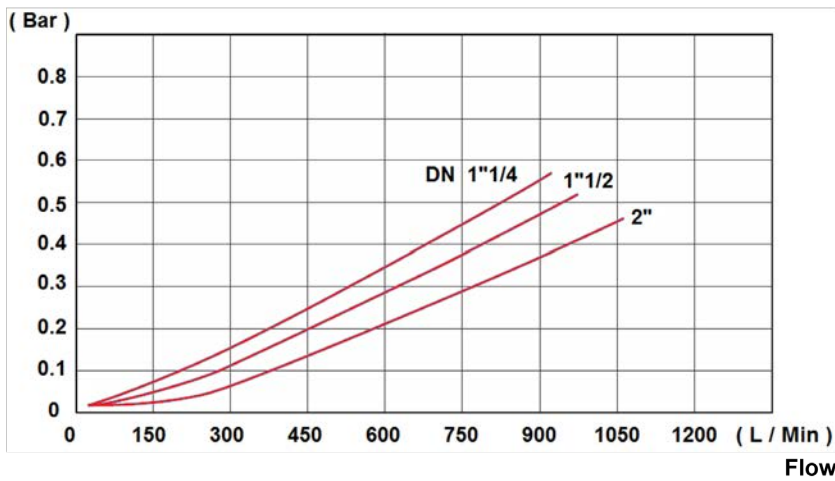
CBL 6149

WORKING CONDITIONS

Maximum working pressure : 16 bar.
Minimum back pressure for tightness in horizontal position: 0.4 bar
Maximum working temperature : 0°C / +150°C.

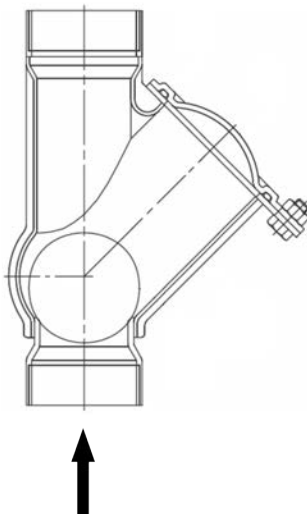
⚠ Please consult us in the case of using under low load.

HEAD LOSS CHART

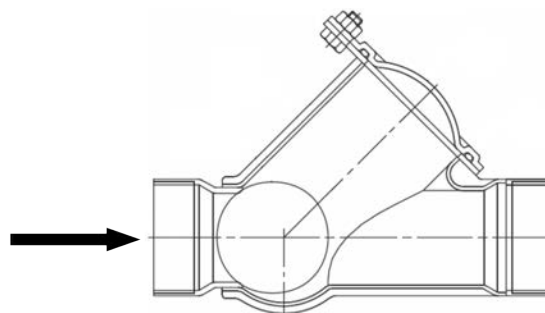


MOUNTING POSITION

Vertical position (Ascendant fluid)



Horizontal position



Tecofi France

83 rue Marcel Mérieux - 69960 Corbas
Tél. +33 (0)4 72 79 05 79 - Fax. +33 (0)4 78 90 19 19
E-mail : sales@tecofi.fr - www.tecofi.fr

