

FLANGED BALL CHECK VALVE

TECHNICAL PASSPORT

BALL CHECK VALVE - DUCTILE IRON BODY FLANGE CONNECTION ASA150

CBL 4230

APPLICATION

The TECOFI ball check valve is suitable for wastewater transfer applications and for heavy or viscous fluids.



General use: discharge of wastewater, purification, sanitation, pumping

GENERAL CHARACTERISTICS

Range: from DN40 to DN400.

- Design according to EN 16767.
- Resilient seated non return check valve.
- Mounting direction is indicated by an arrow on the body.
- Self-cleaning ball that moves freely in the body,
- Low pressure drop.
- Complete erasure of the ball allowing full passage.
- Mounting in horizontal or vertical ascending position.
- Lifting ring on the bonnet for easy handling.
- Easy maintenance thanks to the easy disassembly of the bonnet.
- Plug for unclogging the ball under the body.



STANDARDS

Design	Meets the requirements of European Directive 2014/68/UE: «Equipment under pressure» modulate H.
Face to face	Face to face dimension according to NF EN 558-1 serie 48, DIN 3202/1 serie F6.
Connection	Flanged connection ASA 150 according to ASME B16.5.
Tests	Hydraulic tests according to EN12266-1, DIN 3230, BS 6755 and ISO 5208: - Body : WP x 1.5 bar - Seat : WP x 1.1 bar

PRODUCT APPROVALS



Tecofi France

83 rue Marcel Mérieux - 69960 Corbas
Tél. +33 (0)4 72 79 05 79 - Fax. +33 (0)4 78 90 19 19
E-mail : sales@tecofi.fr - www.tecofi.fr



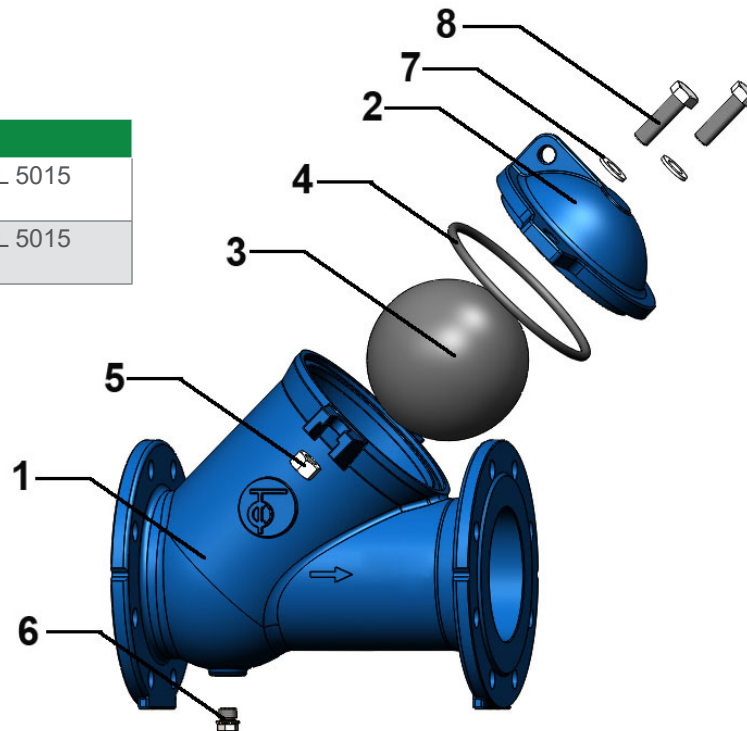
FLANGED BALL CHECK VALVE

TECHNICAL PASSPORT

CBL 4230

CONSTRUCTION

Component	Coating
Body (1)	Epoxy powder RAL 5015 thickness 250µm
Bonnet (2)	Epoxy powder RAL 5015 thickness 250µm



Pos.	Q-ty	Description	Material	Equivalences		
				DIN	ASTM	BS
1	1	Body	Ductile iron EN-GJS-500-7	GGG 50	A536 70-50-05	1563 EN-JS1050
2	1	Bonnet	Ductile iron EN-GJS-500-7	GGG 50	A536 70-50-05	1563 EN-JS1050
3	1	Ball	DN 40-50 : NBR DN 65-80 : Aluminium + NBR DN 100-400 : Cast iron + NBR			
4	1	Gasket	NBR			
5	n*	Nut	Stainless steel A2-70			
6	2	Plug	Carbon steel			
7	n*	Washer	Stainless steel A2-70			
8	n*	Screw	Stainless steel A2-70			
9	1	Nameplate				

* n= 2 (DN40-150) / 4 (DN200-350) / 6 (DN400)

Tecofi France

83 rue Marcel Mérieux - 69960 Corbas
Tél. +33 (0)4 72 79 05 79 - Fax. +33 (0)4 78 90 19 19
E-mail : sales@tecofi.fr - www.tecofi.fr

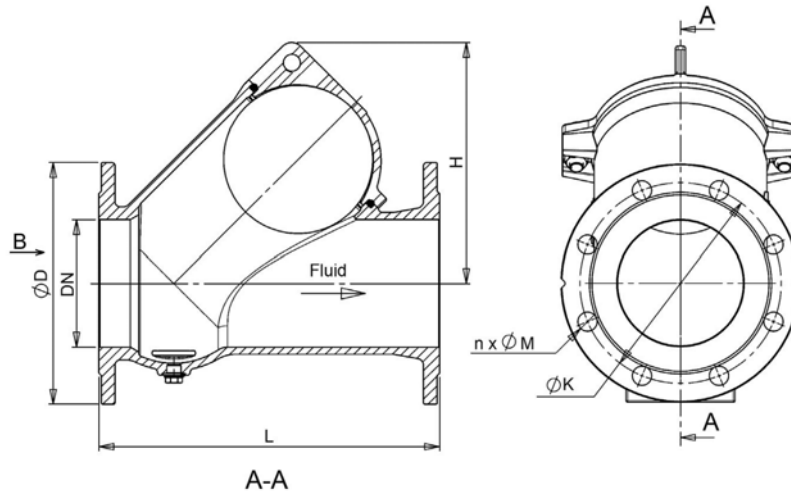


FLANGED BALL CHECK VALVE

TECHNICAL PASSPORT

CBL 4230

DIMENSIONS



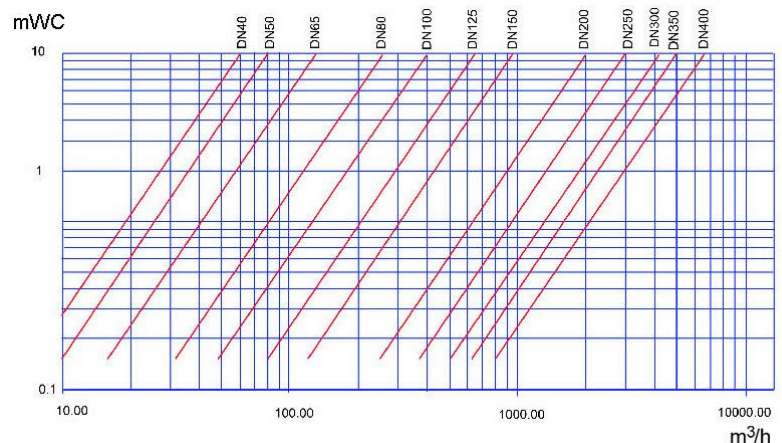
DN		L	H	Ø D	Ø K	n	Ø M	Cracking pressure (mbar)	Weight (kg)
mm	inch								
40	1 1/2"	180	100	150	98.4	4	15.8	6.9	5.63
50	2"	200	113	165	120.6	4	19	12.6	7.56
65	2 1/2"	240	135	185	139.7	4	19	20.5	10.11
80	3"	260	165	200	152.4	4	19	12.0	12.73
100	4"	300	203	220	190.5	8	19	16.0	18.47
125	5"	350	247	250	215.9	8	22.2	41.6	30.25
150	6"	400	284	285	241.3	8	22.2	25.7	38.50
200	8"	500	380	340	298.4	8	22.2	26.7	76.00
250	10"	600	464	400	362.0	12	25.4	32.5	125.3
300	12"	700	556	455	431.8	12	25.4	35.7	177
350	14"	800	651	505	476.2	16	28.5	54.2	276.5
400	16"	900	767	565	539.8	16	28.5	64.0	423

WORKING CONDITIONS

Maximum working pressure : 10 bar.
Maximum working temperature : -10°C / +80°C.

⚠ Please consult us in the case of using under low load.

HEAD LOSS CHART



Tecofi France

83 rue Marcel Mérieux - 69960 Corbas
Tél. +33 (0)4 72 79 05 79 - Fax. +33 (0)4 78 90 19 19
E-mail : sales@tecofi.fr - www.tecofi.fr

