

THREADED BALL CHECK VALVE

TECHNICAL PASSPORT

BALL CHECK VALVE - DUCTILE IRON BODY THREADED CONNECTION

CBL 4141

APPLICATION

The TECOFI ball check valve is suitable for wastewater transfer applications and for heavy or viscous fluids.



General use: discharge of wastewater, purification, sanitation, pumping

GENERAL CHARACTERISTICS

Range: from DN25 to DN65.

- Design according to EN 16767.
- Resilient seated non return check valve.
- Mounting direction is indicated by an arrow on the body.
- Self-cleaning ball that moves freely in the body,
- Low pressure drop.
- Complete erasure of the ball allowing full passage.
- Mounting in horizontal or vertical ascending position.
- Lifting ring on the bonnet for easy handling.
- Easy maintenance thanks to the easy disassembly of the bonnet.
- Plug for unclogging the ball under the body.



STANDARDS

Design	Meets the requirements of European Directive 2014/68/UE: «Equipment under pressure» product excluded (article 3 §3), except group1 gases.
Face to face	Face to face dimension according to NF EN 558-1 serie 48, DIN 3202/1 serie F6.
Connection	Threaded connection according to ISO 228-1.
Tests	Hydraulic tests according to EN12266-1, DIN 3230, BS 5154 and ISO 5208: - Body : 15 bar - Seat : 11 bar

PRODUCT APPROVALS



Tecofi France

83 rue Marcel Mérieux - 69960 Corbas
Tél. +33 (0)4 72 79 05 79 - Fax. +33 (0)4 78 90 19 19
E-mail : sales@tecofi.fr - www.tecofi.fr



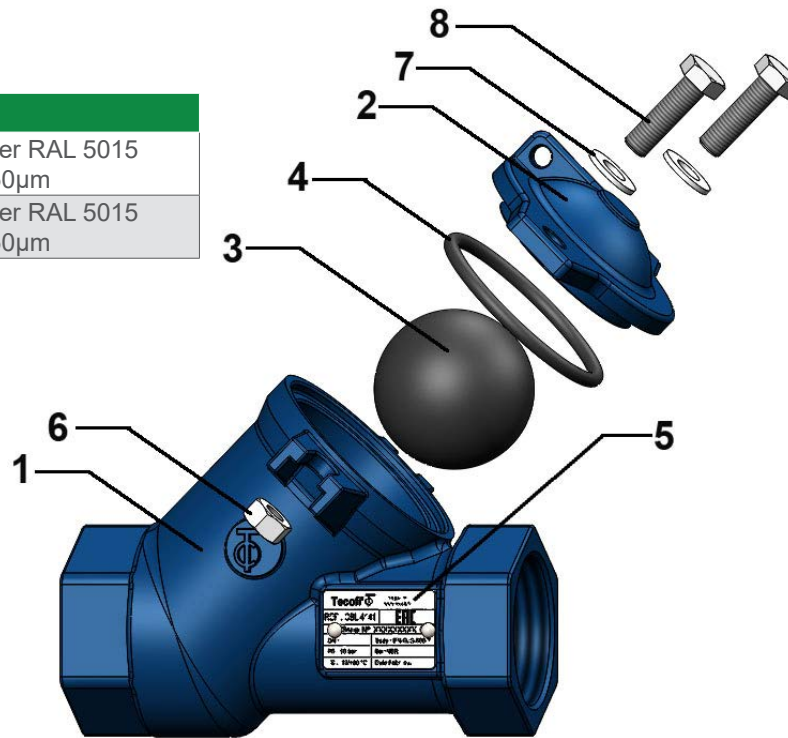
THREADED BALL CHECK VALVE

TECHNICAL PASSPORT

CBL 4141

CONSTRUCTION

Component	Coating
Body (1)	Epoxy powder RAL 5015 thickness 250µm
Bonnet (2)	Epoxy powder RAL 5015 thickness 250µm



Pos.	Q-ty	Description	Material	Equivalences		
				DIN	ASTM	BS
1	1	Body	Ductile iron EN-GJS-500-7	GGG 50	A536 70-50-05	1563 EN-JS1050
2	1	Bonnet	Ductile iron EN-GJS-500-7	GGG 50	A536 70-50-05	1563 EN-JS1050
3	1	Ball	DN 25-50 : NBR DN 65 : Aluminium + NBR			
4	1	Gasket	NBR			
5	1	Nameplate	Aluminium			
6	2	Nut	Stainless steel A2-70			
7	2	Washer	Stainless steel A2-70			
8	1	Screw	Stainless steel A2-70			

Tecofi France

83 rue Marcel Mérieux - 69960 Corbas
Tél. +33 (0)4 72 79 05 79 - Fax. +33 (0)4 78 90 19 19
E-mail : sales@tecofi.fr - www.tecofi.fr

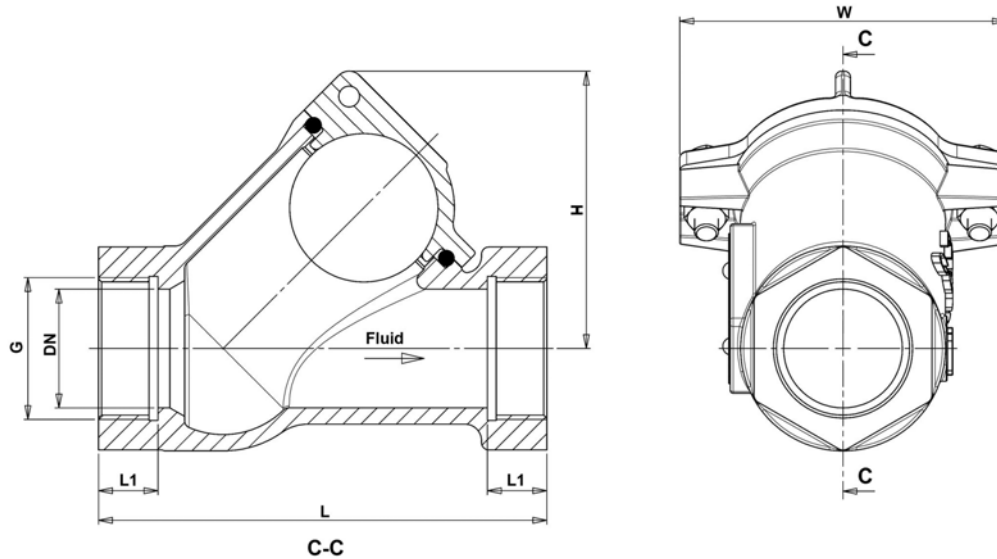


THREADED BALL CHECK VALVE

TECHNICAL PASSPORT

CBL 4141

DIMENSIONS

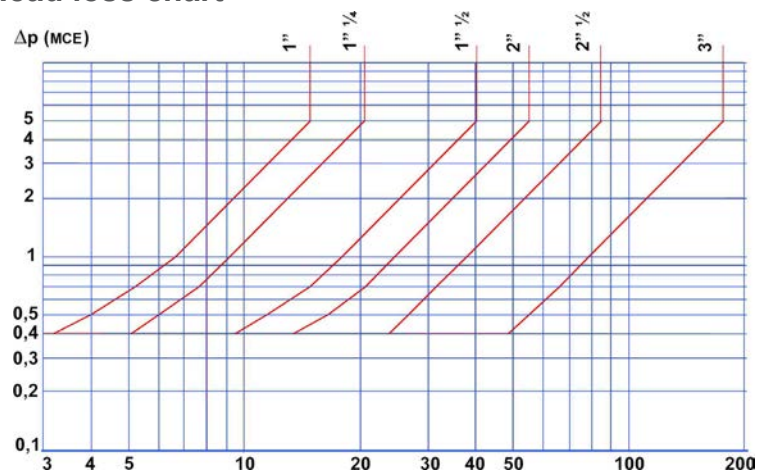


DN		L	H	G	L1	W	Weight (kg)
mm	inch						
25	1"	125	75	G1"	16	96	1.3
32	1"1/4	133	79	G1"1/4	18	96	1.51
40	1"1/2	151	93	G1"1/2	20	110	2.12
50	2"	175	111	G2"	24	132	3.23
65	2"1/2	202	111	G2"1/2	28	132	4.27

WORKING CONDITIONS

Maximum working pressure : 10 bar.
Maximum working temperature : -10°C / +90°C.

Head loss chart



Tecofi France

83 rue Marcel Mérieux - 69960 Corbas
Tél. +33 (0)4 72 79 05 79 - Fax. +33 (0)4 78 90 19 19
E-mail : sales@tecofi.fr - www.tecofi.fr

ISO 9001
ISO 14001
BUREAU VERITAS
Certification

