

WAFER TYPE DOUBLE PLATE CHECK VALVE

TECHNICAL PASSPORT

**CLAPET A DOUBLE BATTANT
ENTRE BRIDES PN25**

CB 4450

APPLICATION

The double plate check valve is suitable for transfer applications uncharged fluids under non-pulsating regime.

Area of use: pumping, water supply, air conditioning and heating installations.



Fluids: hot water, cold water, demineralized water, etc.



GENERAL CHARACTERISTICS

Range: from DN40 to DN300.

- Double check valve.
- Design according to NF EN 12334 and NF EN 14341.
- Symmetrical flow with full opening.
- The mounting direction is indicated by the arrow on the body.
- Robust, lightweight and economical construction
- Small face to face dimension requiring no maintenance.
- Low pressure losses.
- Mounting on horizontal or vertical piping.
- Closing assisted by stainless steel spring preventing the propagation of water hammer.

STANDARDS

Design	Design according to NF EN 12334 and NF EN 14341.
Face to face	Face to face according to standards NF EN 558-1 serie 16 tab11 and DIN 3202 except for DN40 (face to face of DN40 same as DN50).
Connection	Mounting between flanges PN25 according to EN 1092-2
Tests	Testing pressure accordint to EN12266-1, DIN 3230, BS 5154 and ISO 5208: - Body : 37.5 bar - Seat : 27.5 bar

PRODUCT APPROVALS

ERC

Tecofi France

83 rue Marcel Mérieux - 69960 Corbas
Tél. +33 (0)4 72 79 05 79 - Fax. +33 (0)4 78 90 19 19
E-mail : sales@tecofi.fr - www.tecofi.fr

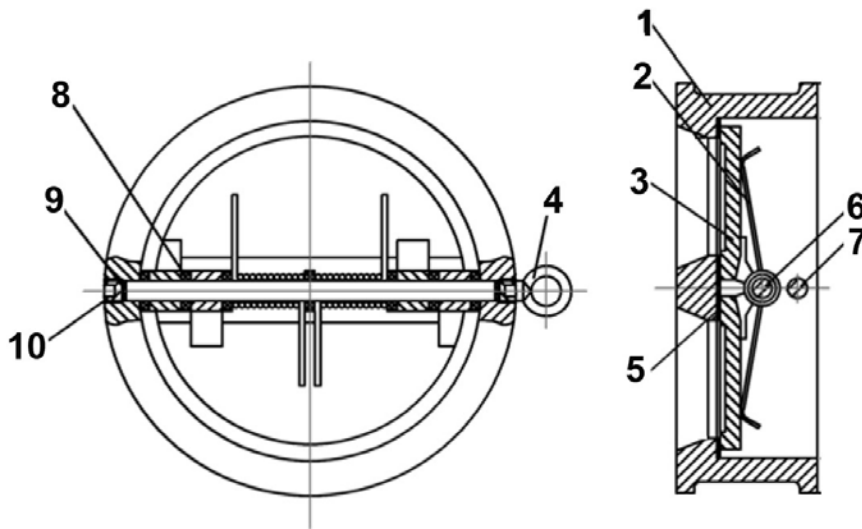


WAFER TYPE DOUBLE PLATE CHECK VALVE

TECHNICAL PASSPORT

CB 4450

CONSTRUCTION



Pos.	Quantity	Description	Material	Equivalences		
				DIN	ASTM	BS
1	1	Body	Ductile iron EN-GJS-400-15	GGG 40	A536 65-45-12	1563 EN-JS1030
2	2	Spring	Stainless steel 304			
3	2	Plate	Ductile iron EN-GJS-400-15	GGG 40	A536 65-45-12	1563 EN-JS1030
4	1	Ring	Carbon steel			
5	1	Seat	EPDM			
6	1	Spring shaft	Stainless steel 410			
7	1	Stopper shaft	Stainless steel 410			
8	7	Gasket	PTFE			
9	2	Gasket	PTFE			
10	2	Plug	Stainless steel			

The photographs and technical art works are not contractual. The specifications of the presented products are open to modifications without previous advice

Tecofi France

83 rue Marcel Mérieux - 69960 Corbas
 Tél. +33 (0)4 72 79 05 79 - Fax. +33 (0)4 78 90 19 19
 E-mail : sales@tecofi.fr - www.tecofi.fr

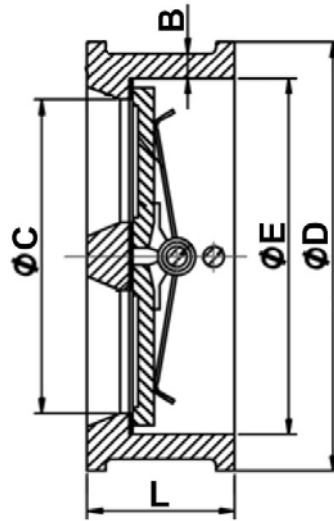


WAFER TYPE DOUBLE PLATE CHECK VALVE

TECHNICAL PASSPORT

CB 4450

DIMENSIONS



DN		L	ØE	ØD	ØC	B	Weight (kg)
mm	inch						
40	1"1/2	43	65	92	42	6	1.1
50	2"	43	65	107	42	6	1.5
65	2"1/2	46	80	127	54	6	2.1
80	3"	64	94	142	69	6.5	3.3
100	4"	64	117	162	86	7	4.3
125	5"	70	145	192	106	8	6.5
150	6"	76	170	218	131	8	8.8
200	8"	89	224	273	176	8.5	16
250	10"	114	265	329	225	9	25
300	12"	114	312	384	264	10	32

The photographs and technical art works are not contractual. The specifications of the presented products are open to modifications without previous advice

Tecofi France

83 rue Marcel Mérieux - 69960 Corbas
Tél. +33 (0)4 72 79 05 79 - Fax. +33 (0)4 78 90 19 19
E-mail : sales@tecofi.fr - www.tecofi.fr



WAFER TYPE DOUBLE PLATE CHECK VALVE

TECHNICAL PASSPORT

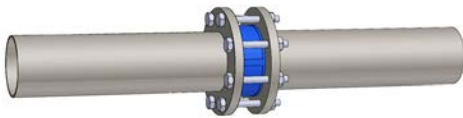
CB 4450

WORKING CONDITIONS

Maximum working pressure : 25 bar.
Maximum temperature : -10°C / +120°C.
Minimum opening pressure : 0.02 ÷ 0.04 bar
Back pressure for sealing : 2 bar

MOUNTING

Horizontal:

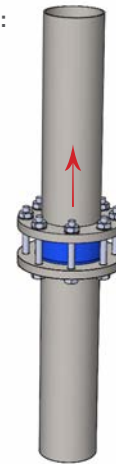


For horizontal mounting, the axis of the check valve must be vertical.



⚠ During the mounting it is recommended to maintain a distance of 3 to 5 times the minimal diameter upstream and downstream of an elbow or appliance. This makes it possible to stay out of areas of turbulence likely to increase the risk of wear.
At the discharge of a pump it is advisable to carry out the assembly in accordance with the **FD CEN/TR 13932** standards

Vertical:



Vertical mounting with ascending fluid.

The photographs and technical art works are not contractual. The specifications of the presented products are open to modifications without previous advice

Tecofi France

83 rue Marcel Mérieux - 69960 Corbas
Tél. +33 (0)4 72 79 05 79 - Fax. +33 (0)4 78 90 19 19
E-mail : sales@tecofi.fr - www.tecofi.fr

ISO 9001
ISO 14001
BUREAU VERITAS
Certification

