

# FLANGED CHECK VALVE

## TECHNICAL PASSPORT

### FLANGED CHECK VALVE CAST IRON BODY

**CB 3240PN16**

#### APPLICATION

The TECOFI swing check valve is suitable for transfer applications of uncharged fluids under non-pulsating regime.

**Area of use:** pumping, water supply, air conditioning installation and heating, chemical industry, hydraulic installations.



**Fluids:** clear and slightly charged water, demineralized water, non corrosive products.



#### GENERAL CHARACTERISTICS

**Range:** from DN40 to DN400.

- Swing non-return check valve
- Graphite sealing gasket between body and cover
- Sealing surface slightly inclined
- Easy closure
- Mounting direction is indicated by an arrow on the body.
- Low pressure drop.
- Sturdy construction requiring no maintenance.
- Mounting on horizontal or vertical ascending piping

#### STANDARDS

<b>Face to face</b>	according to standard DIN3202-F6
<b>Connection</b>	Flange connection according to DIN2533 : PN10/16 from DN40 to DN150 and PN16 from DN200 to DN400
<b>Tests</b>	Hydraulic tests according to EN12266-1, DIN 3230, BS 5154 and ISO 5208: - Body : 24 bar - Seat : 17.6 bar

#### PRODUCT APPROVALS



#### Tecofi France

83 rue Marcel Mérieux - 69960 Corbas  
Tél. +33 (0)4 72 79 05 79 - Fax. +33 (0)4 78 90 19 19  
E-mail : sales@tecofi.fr - [www.tecofi.fr](http://www.tecofi.fr)

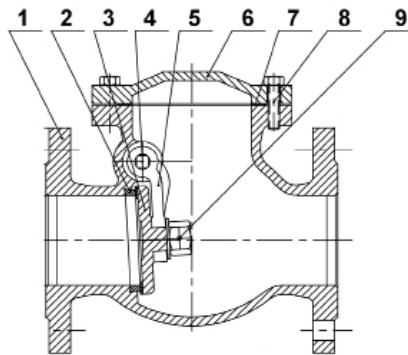


## FLANGED CHECK VALVE

### TECHNICAL PASSPORT

CB 3240PN16

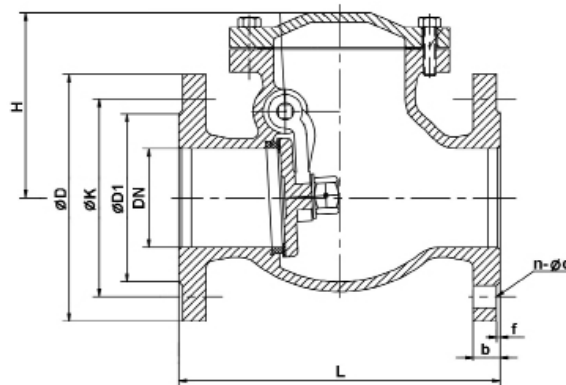
#### CONSTRUCTION



Constituant	Revêtement
Body (1)	Epoxy powder RAL 5017 thickness 150µm
Bonnet (6)	Epoxy powder RAL 5017 thickness 150µm

Pos.	Description	Material	Equivalences		
			DIN	ASTM	BS
1	Body	Cast iron EN-GJL-250	GG25	A48 class 40B	1452 Grade 250
2	Seat ring	Brass			
3	Plate	Cast iron EN-GJL-250 + Brass	GG25	A48 class 40B	1452 Grade 250
4	Hinge pin	Stainless steel			
5	Hinge	Ductile iron En-GJS-400-15	GGG40	A536 65-45-12	1563 EN-JS1030
6	Bonnet	Cast iron EN-GJL-250	GG25	A48 class 40B	1452 Grade 250
7	Gasket	Graphite			
8	Screw	Zinc plated steel			
9	Nut	Zinc plated steel			

#### DIMENSIONS



DN		L	Ø D	Ø D1	Ø K	H	n-Ød	b	f	Weight (kg)
mm	inch									
40	1"1/2	180	150	88	110	115	4-Ø18	18	3	9
50	2"	200	165	102	125	128	4-Ø18	20	3	12
65	2"1/2	240	185	122	145	153	4-Ø18	20	3	16
80	3"	260	200	138	160	150	8-Ø18	22	3	20
100	4"	300	220	158	180	165	8-Ø18	24	3	27
125	5"	350	250	188	210	185	8-Ø18	26	3	42
150	6"	400	285	212	240	208	8-Ø23	26	3	58
200	8"	500	340	268	295	252	12-Ø23	30	3	95
250	10"	600	405	320	355	306	12-Ø27	32	3	135
300	12"	700	460	378	410	335	12-Ø27	32	4	220
350	14"	800	520	438	470	380	16-Ø27	36	4	286
400	16"	900	580	490	525	410	16-Ø30	38	4	380

**Tecofi France**

83 rue Marcel Mérieux - 69960 Corbas

Tél. +33 (0)4 72 79 05 79 - Fax. +33 (0)4 78 90 19 19

E-mail : sales@tecofi.fr - [www.tecofi.fr](http://www.tecofi.fr)



# FLANGED CHECK VALVE

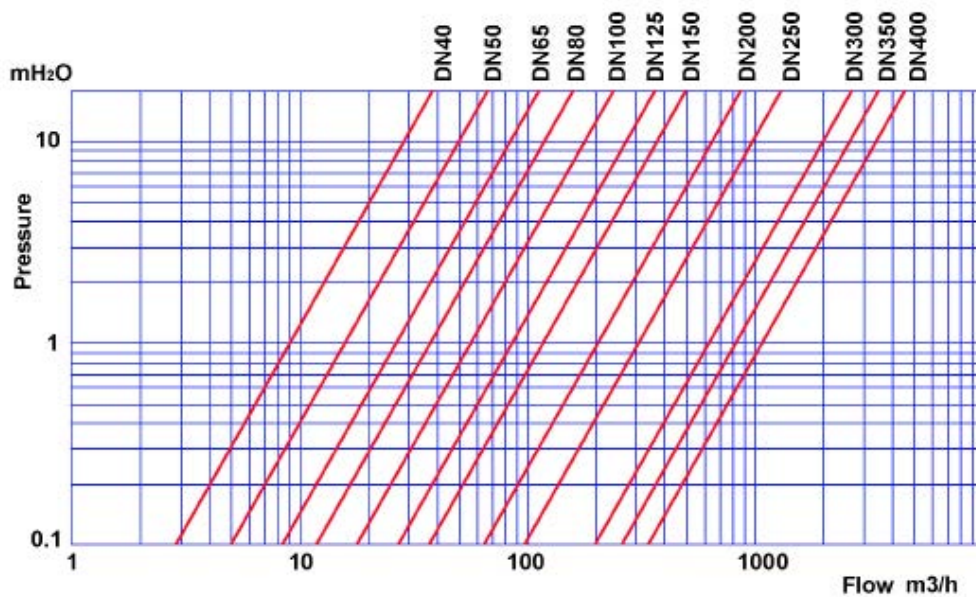
## TECHNICAL PASSPORT

**CB 3240PN16**

### WORKING CONDITIONS

Maximum working pressure : 16 bar  
Maximum working temperature : +150°C

### HEAD LOSS DIAGRAMM



### FLOW FACTOR (Kvs)

DN	40	50	65	80	100	125	150	200	250	300	350	400
Kvs	28.5	50.2	83.7	117	179	272	370	647	971	1994	2595	3389

### Tecofi France

83 rue Marcel Mérieux - 69960 Corbas  
Tél. +33 (0)4 72 79 05 79 - Fax. +33 (0)4 78 90 19 19  
E-mail : sales@tecofi.fr - [www.tecofi.fr](http://www.tecofi.fr)

