

WAFER AXIAL CHECK VALVE

TECHNICAL PASSPORT

**WAFER AXIAL CHECK VALVE
BRASS/DUCTILE IRON BODY**

CA 7441

APPLICATION

Protection of installations against reverse flow..

Area of use: pneumatic installations, heating, chemical industry, water supply, irrigation, thermal stations, high pressure, etc.



Fluids: hot or cold clear water, various uncharged liquids, corrosive chemical products, steam, air, etc.



GENERAL CHARACTERISTICS

Range: from DN32 to DN200.

Non return check valve with one centering ring.

Mounting between PN16 flanges.

Reduced face to face dimension. Weak pressure drop.

Prevents water hammer by closing when the pressure is canceled.

Tightness guaranteed thanks to perfect contact between the disc and the body.

Stainless steel return spring ensuring mounting in all positions.

Mounting in vertical position with ascending fluid in the case of using check valve without spring.

Simple installation and use.

STANDARDS

Design	Fabrication according to EN 16767 Conforme aux exigences de la Directive Européenne 2014/68/UE
Connection	Between flanges drilled according EN 1092-2 and ISO7005 : ISO PN16.
Face to face	Face to face according to EN-558 serie 49
Tests	Pressure test according to standards EN12266-1, DIN 3230, BS 5154 and ISO 5208: Body : 24 bar Seat : 17.6 bar

PRODUCT APPROVALS



Tecofi France

83 rue Marcel Mérieux - 69960 Corbas

Tél. +33 (0)4 72 79 05 79 - Fax. +33 (0)4 78 90 19 19

E-mail : sales@tecofi.fr - www.tecofi.fr

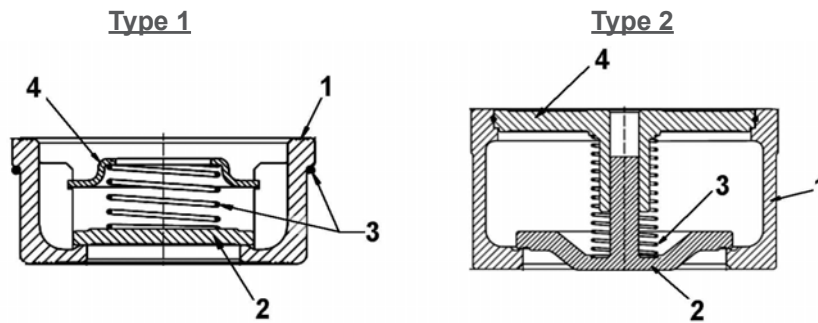


WAFER AXIAL CHECK VALVE

TECHNICAL PASSPORT

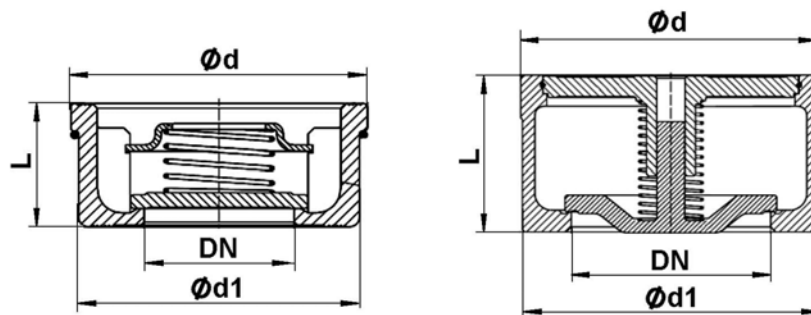
CA 7441

CONSTRUCTION



Pos.	Description	Material	
		Type 1 (DN32/100)	Type 2 (DN125-200)
1	Body	Brass CW617N	Ductile iron GGG40
2	Disc	Stainless steel 304	Ductile iron GGG40
3	Spring	Stainless steel 302	Stainless steel 302
4	Guide	Stainless steel 304	Ductile iron GGG40

DIMENSIONS



DN		L	Ød	Ød1	Weight (kg)
mm	inch				
32	1"1/4	28	72	67	0.46
40	1"1/2	31.5	82	78	0.62
50	2"	40	95	90	0.98
65	2"1/2	46	115	108	1.36
80	3"	50	132	124	2.08
100	4"	60	152	144	3.03
125	5"	90	184	112	6.80
150	6"	106	209	132	10.00
200	8"	140	264	175	20.00

Tecofi France

83 rue Marcel Mérieux - 69960 Corbas
 Tél. +33 (0)4 72 79 05 79 - Fax. +33 (0)4 78 90 19 19
 E-mail : sales@tecofi.fr - www.tecofi.fr

ISO 9001
 ISO 14001
 BUREAU VERITAS
 Certification



WAFER AXIAL CHECK VALVE

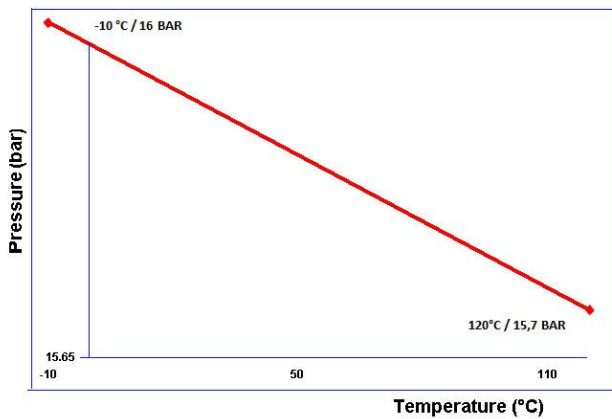
TECHNICAL PASSPORT

CA 7441

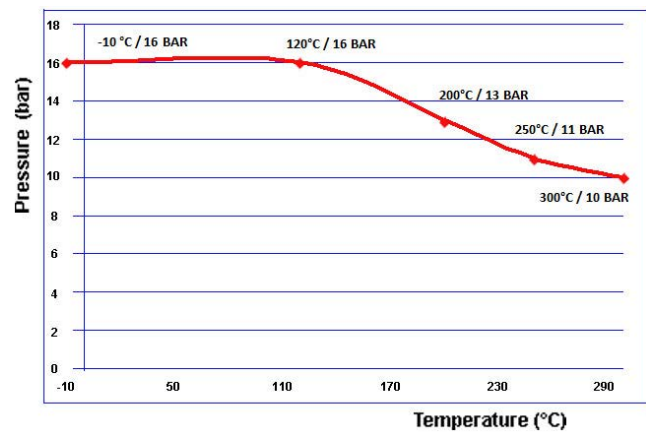
WORKING CONDITIONS

Maximum working position : 16 bar

Pressure	Maximum temperature	
	Brass body	Ductile iron body
16 bar	-10°C / +120°C	-10°C / +120°C
13 bar		-10°C / +200°C
11 bar		-10°C / +250°C
10 bar		-10°C / +300°C



Brass body



Ductile iron body

MINIMUM CRACKING PRESSURE (mbar)

DN		Mounting position		
		Without spring	With spring	
mm	inch	Vertical ascending	Horizontal	Vertical descending
32	1"1/4			
40	1"1/2	24	21	16.2
50	2"	25	21	16.1
65	2"1/2	26	21	15
80	3"	26	21	13.7
100	4"	26.5	21	12.5
125	5"	30	22	12
150	6"	32.5	23.5	13
200	8"	35	24	14.5

Tecofi France

83 rue Marcel Mérieux - 69960 Corbas
 Tél. +33 (0)4 72 79 05 79 - Fax. +33 (0)4 78 90 19 19
 E-mail : sales@tecofi.fr - www.tecofi.fr

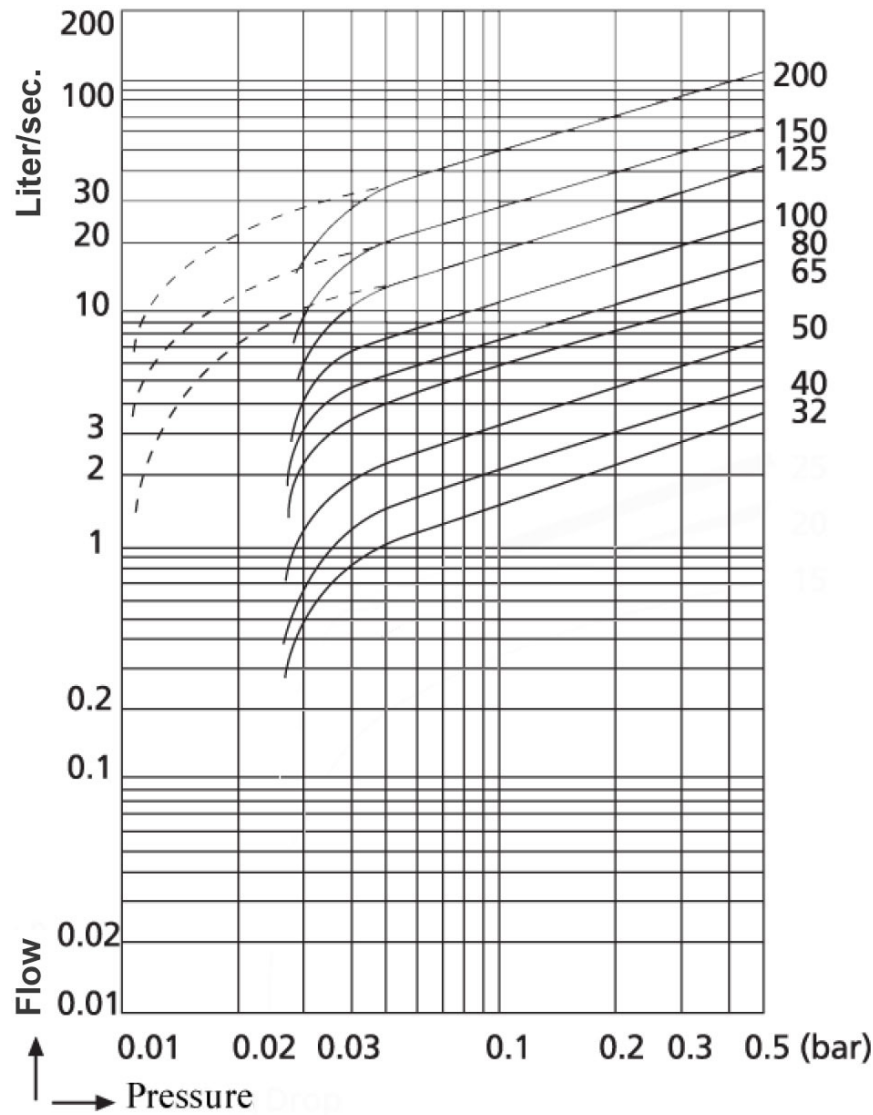


**WAFER AXIAL
CHECK VALVE**

TECHNICAL PASSPORT

CA 7441

HEAD LOSS DIAGRAMM



The photographs and technical art works are not contractual. The specifications of the presented products are open to modifications without previous advice.

Tecofi France

83 rue Marcel Mérieux - 69960 Corbas
Tél. +33 (0)4 72 79 05 79 - Fax. +33 (0)4 78 90 19 19
E-mail : sales@tecofi.fr - www.tecofi.fr

