

# THREADED AXIAL CHECK VALVE

TECHNICAL PASSPORT

## NPT THREADED AXIAL CHECK VALVE STAINLESS STEEL BODY

CA 6779

### APPLICATION

Protection of installations against reverse flow.

**Area of use :** Chemical, pharmaceutical or petro-chemical industries, high pressure, high temperature, thermal fluid, hydraulic networks, etc.



**Fluids:** water, steam, chemicals, etc.

### GENERAL CHARACTERISTICS

**Range:** from DN1/4" to DN4".

- Multi position stainless steel non return check valve.
- 3-Pcs construction assembled by stainless steel bolts
- Direction of assembly is indicated by an arrow on the body
- Opening at low pressure.
- Low pressure drop.
- Stainless steel return spring.
- Metal/métal tightness



### STANDARDS

<b>Connection</b>	Threaded female NPT ends according to ANSI B1.20.1.
<b>Tests</b>	Pressure test according to standards EN12266-1, DIN 3230, BS 5154 and ISO 5208:

### PRODUCT APPROVALS



II 2 GD c T2

### Tecofi France

83 rue Marcel Mérieux - 69960 Corbas  
Tél. +33 (0)4 72 79 05 79 - Fax. +33 (0)4 78 90 19 19  
E-mail : sales@tecofi.fr - [www.tecofi.fr](http://www.tecofi.fr)

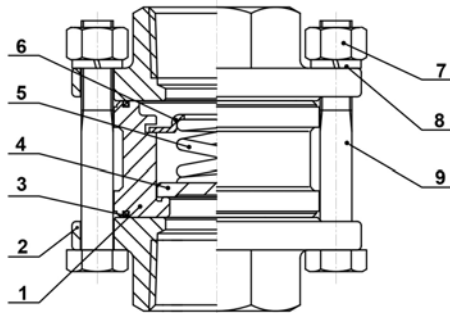


## THREADED AXIAL CHECK VALVE

### TECHNICAL PASSPORT

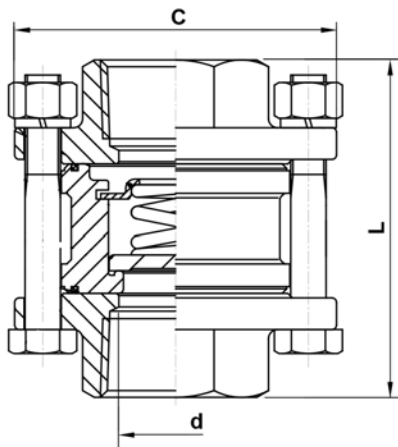
CA 6779

#### CONSTRUCTION



Pos.	Q-ty	Description	Material
1	1	Body	Stainless steel CF8M
2	2	Bonnet	Stainless steel CF8M
3	2	Gasket	PTFE
4	1	Disc	Stainless steel CF8M
5	1	Spring	Stainless steel 316
6	1	Stopper	Stainless steel 304
7	4 (6)	Nut	Stainless steel 304
8	4 (6)	Washer	Stainless steel 304
9	4 (6)	Bolt	Stainless steel 304

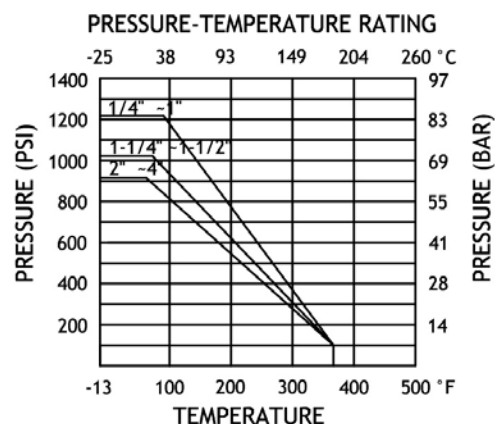
#### DIMENSIONS



DN		L	C	d	Cracking pressure (mbar)		Weight (kg)
mm	inch				Horizontal	vertical	
8	1/4"	49	45	8	55	58	0.14
10	3/8"	49	45	10	55	58	0.14
15	1/2"	56	53.5	15	55	58	0.30
20	3/4"	65	62.5	20	80	83	0.43
25	1"	74	71	25	25	29	0.61
32	1 1/4"	83	88	32	25	29	1.00
40	1 1/2"	91	95	40	25	29	1.32
50	2"	110	117	50	30	35	2.14
65	2 1/2"	126	147	65	30	35	4.00
80	3"	141	167	76	15	21	5.71
100	4"	162	224	94	15	21	10.00

#### WORKING CONDITIONS

Maximum working pressure : 63 bar  
 Maximum working temperature : -25°C /+ 180°C



The photographs and technical art works are not contractual. The specifications of the presented products are open to modifications without previous advice

CA6779\_EN // Réalisé le 30/03/2021 // Version Init

**Tecofi France**

83 rue Marcel Mérieux - 69960 Corbas  
 Tél. +33 (0)4 72 79 05 79 - Fax. +33 (0)4 78 90 19 19  
 E-mail : sales@tecofi.fr - [www.tecofi.fr](http://www.tecofi.fr)

