

FLANGED AXIAL CHECK VALVE

TECHNICAL PASSPORT

FLANGED PN16 AXIAL CHECK VALVE DUCTILE IRON BODY

CA 4248A

APPLICATION

Non-return check valve.

Area of use: Industries, fluid pumping, water supply, hydraulic networks, etc.



Fluids: clear water, uncharged liquids, non-corrosive products, etc

GENERAL CHARACTERISTICS

Range: from DN350 to DN600.

- Non -return valve in cast iron all positions.
- Simple axial guidance prevents blocking of the disc.
- Body coated with RAL 5005 epoxy paint, thickness 150 microns.
- Mounting direction is indicated on the body by an arrow.
- Low cracking pressure.
- Low head losses.
- Simple installation and use.
- Stainless steel return spring for mounting in any position.
- Sealing ensured by flat nitrile gasket.



STANDARDS

Design	Design according to EN 12334
Connection	Flanges drilled according to EN 1092-2 and DIN 2501/1 : ISO PN16.
Tests	Pressure test according to standards EN12266-1, DIN 3230, BS 5154 and ISO 5208: Body : 24 bar Seat : 17.6 bar

PRODUCT APPROVALS

ERC

Tecofi France

83 rue Marcel Mérieux - 69960 Corbas
Tél. +33 (0)4 72 79 05 79 - Fax. +33 (0)4 78 90 19 19
E-mail : sales@tecofi.fr - www.tecofi.fr



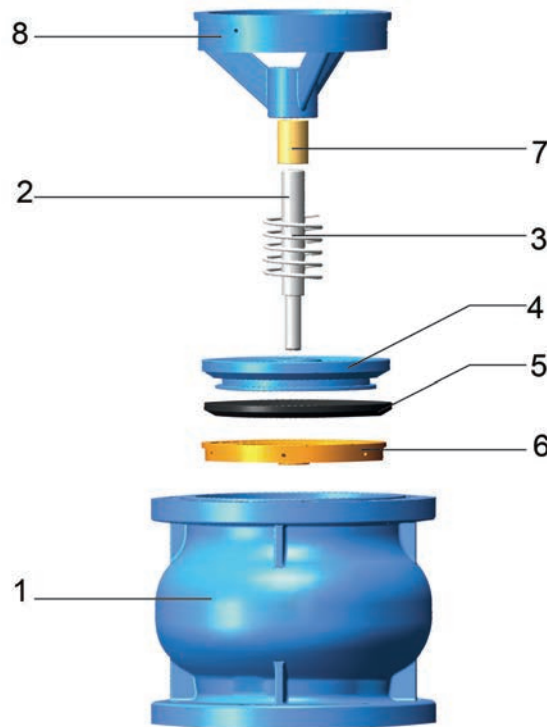
FLANGED AXIAL CHECK VALVE

TECHNICAL PASSPORT

CA 4248A

CONSTRUCTION

Component	Coating
Body	Epoxy powder RAL 5005 thickness 150µm



Pos.	Description	Material
1	Body	Ductile iron GGG40
2	Guide	Stainless steel X20 Cr13
3	Spring	Stainless steel 304
4	Plug	Ductile iron GGG40
5	Gasket	NBR
6	Sealing ring	Bronze
7	Bearing	Bronze
8	Upper part	Ductile iron GGG40

Tecofi France

83 rue Marcel Mérieux - 69960 Corbas
Tél. +33 (0)4 72 79 05 79 - Fax. +33 (0)4 78 90 19 19
E-mail : sales@tecofi.fr - www.tecofi.fr

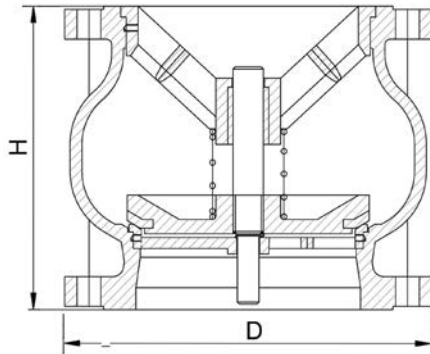


FLANGED AXIAL CHECK VALVE

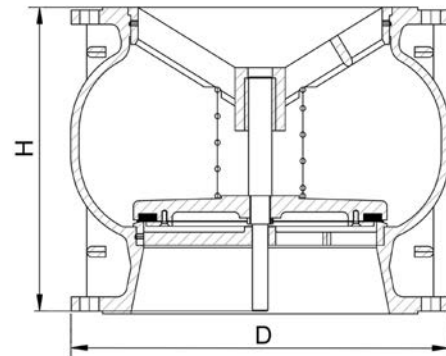
TECHNICAL PASSPORT

CA 4248A

DIMENSIONS



DN350 - 400



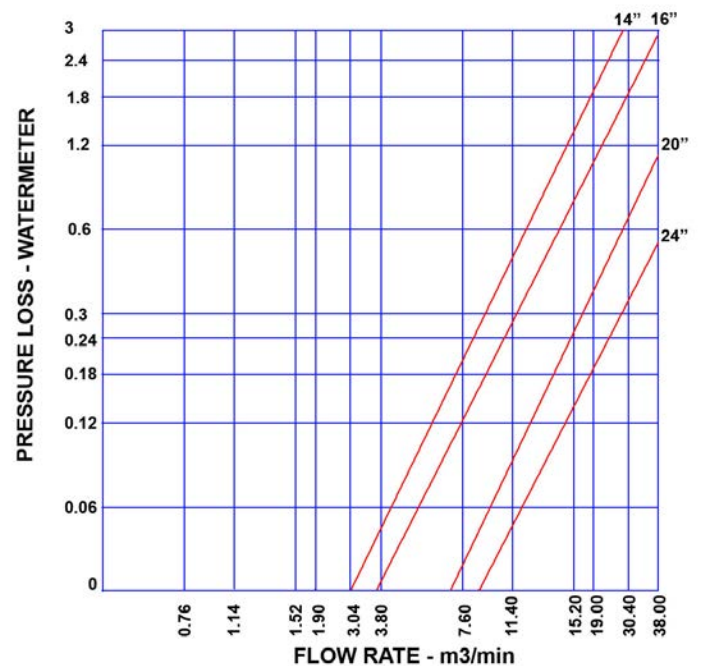
DN500 - 600

DN		L	D	Weight (kg)
mm	inch			
350	14"	425	520	180
400	16"	475	580	240
500	20"	587	715	380
600	24"	710	840	590

WORKING CONDITIONS

Maximum working pressure : 16 bar
Maximum working temperature : -10°C / +80°C

HEAD LOSS DIAGRAMM



Tecofi France

83 rue Marcel Mérieux - 69960 Corbas
Tél. +33 (0)4 72 79 05 79 - Fax. +33 (0)4 78 90 19 19
E-mail : sales@tecofi.fr - www.tecofi.fr

