

QUICK CLOSING NON-RETURN CHECK VALVE

TECHNICAL PASSPORT

**FLANGED PN10 QUICK CLOSING
AXIAL CHECK VALVE - DUCTILE IRON BODY**

CA 4200

APPLICATION

Protection of installation against back flow.

Area of use: distribution networks, water supply, pumping system, irrigation, chemical industry, etc.



Fluids: water, drinking water, clear fluid lightly loaded water.



ACS

Can be delivered in a non-ACS version
See reference **CA4200A**

GENERAL CHARACTERISTICS

Range: from DN600 to DN1800.

- Limit water hammer.
- Quick closing thanks to the short obturator stroke.
- Operates silently - No vibrations.
- 100% tightness of the plug in PU on metal seat.
- Damped closing due to obturator elasticity.
- Easy installation and maintenance required due to its design without seat gasket, absence of obturator wear.
- use in all installation positions : stainless steel counter spring.
- Low head losses.
- Robust and resistant body.
- Installation direction is indicate by an arrow on the body
- Very low opening (cracking) pressure.

STANDARDS

Connection	Flange connection according to EN 1092-2 and ISO7005 : ISO PN10.
Tests	Pressure test according to standards EN12266-1, DIN 3230, BS 5154 and ISO 5208. - Body : 15 bar - Seat : 11 bar

PRODUCT APPROVALS

ERC

ACS

Health compliance certificate ACS n° 19 ACC LY 031

Tecofi France

83 rue Marcel Mérieux - 69960 Corbas
Tél. +33 (0)4 72 79 05 79 - Fax. +33 (0)4 78 90 19 19
E-mail : sales@tecofi.fr - www.tecofi.fr

ISO 9001
ISO 14001
BUREAU VERITAS
Certification



QUICK CLOSING NON-RETURN CHECK VALVE

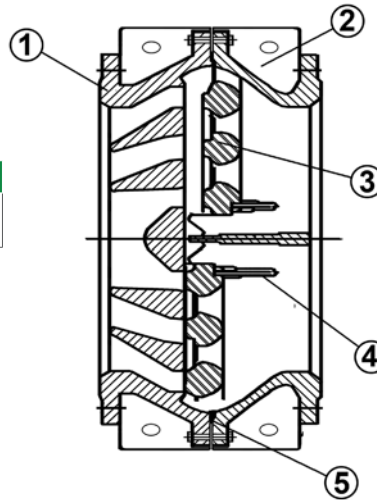
TECHNICAL PASSPORT

CA 4200

CONSTRUCTION

The valves are coated with electrostatic powder epoxy paint to protect them against corrosion

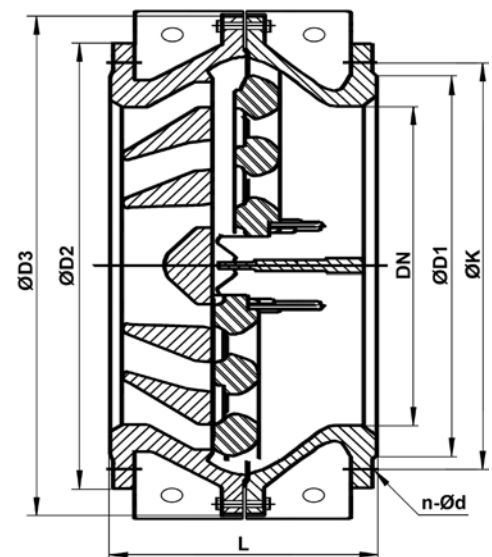
Component	Coating	Standard
Body (1)	Epoxy RAL 5005 150 microns	SSPC-SP10 / SA 2 1/2



Pos.	Q-ty	Description	Material	Equivalences		
				DIN	ASTM	BS
1	1	Body	Ductile iron EN-GJS-400-15	GGG40	A536 65-45-12	1563 EN-JS1030
2	1	Support leg	Ductile iron EN-GJS-400-15	GGG40	A536 65-45-12	1563 EN-JS1030
3	1	Obturator	Polyurethane			
4	1	Spring	Stainless steel 302	X12CrNi 18-8	240 F302	302 S 26
5	1	Joint	SBR			

DIMENSIONS

DN		L	Ø K	n-Ød	ØD1	ØD2	ØD3	Weight (kg)
mm	inch							
600	24"	435	725	20-Ø31	682	780	920	500
700	28"	500	840	24-Ø31	794	895	1120	800
800	32"	515	950	24-Ø34	901	1015	1180	1000
900	36"	710	1050	28-Ø34	1001	1115	1480	1700
1000	40"	730	1160	28-Ø37	1112	1230	1500	1900
1200	48"	900	1380	32-Ø40	1328	1455	1890	3400
1400	56"	1120	1590	36-Ø44	1530	1675	2265	5400
1600	64"	1352	1820	40-Ø49	1750	1915	2520	8100
1800	72"	1440	2020	44-Ø49	-	2115	2850	11850



Tecofi France

83 rue Marcel Mérioux - 69960 Corbas
Tél. +33 (0)4 72 79 05 79 - Fax. +33 (0)4 78 90 19 19
E-mail : sales@tecofi.fr - www.tecofi.fr

ISO 9001
ISO 14001
BUREAU VERITAS
Certification

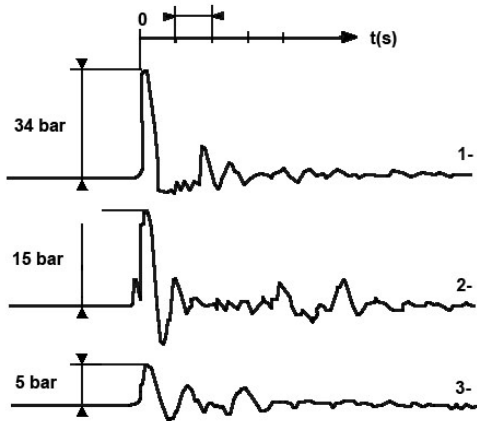


QUICK CLOSING NON-RETURN CHECK VALVE

TECHNICAL PASSPORT

CA 4200

DYNAMIC RESPONSE

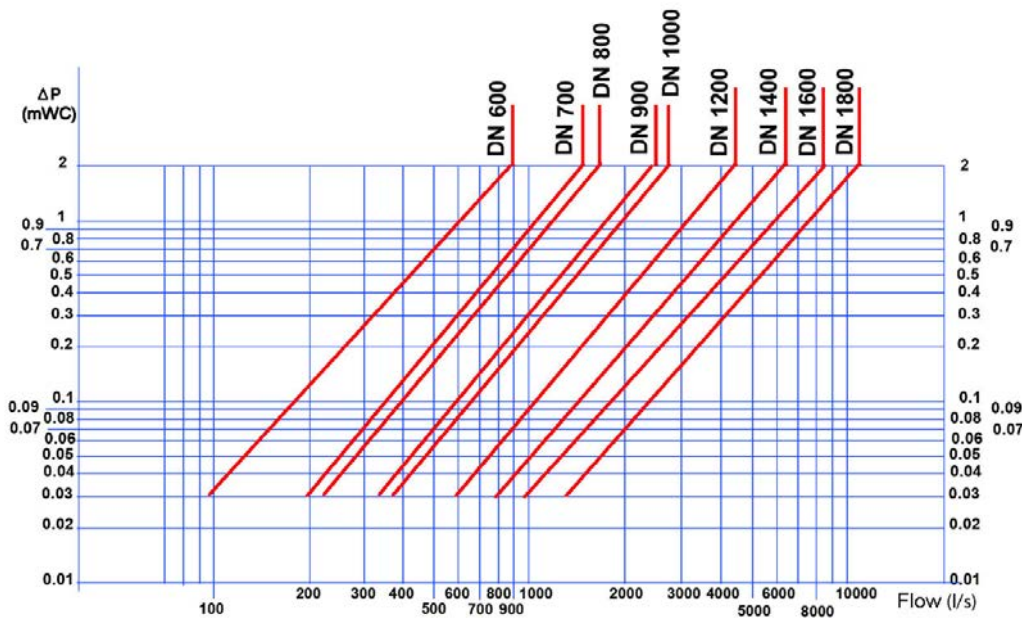


1. Single plate check valve
2. Double plate check valve
3. Quick closing check valve

WORKING CONDITIONS

Maximum working pressure : 10 bar
Maximum working temperature : + 60°C

Head loss chart



! During the mounting it is recommended to maintain a distance of 3 to 5 times the minimal diameter upstream and downstream of an elbow or appliance. This makes it possible to stay out of areas of turbulence likely to increase the risk of wear.
At the discharge of a pump it is advisable to carry out the assembly in accordance with the **FD CEN/TR 13932** standards

Tecofi France

83 rue Marcel Mérieux - 69960 Corbas
Tél. +33 (0)4 72 79 05 79 - Fax. +33 (0)4 78 90 19 19
E-mail : sales@tecofi.fr - www.tecofi.fr

ISO 9001
ISO 14001
BUREAU VERITAS
Certification

