

AXIAL CHECK VALVE

TECHNICAL PASSPORT

NON RETURN AXIAL CHECK VALVE BRASS BODY

CA 1142

APPLICATION

Area of use: water distribution, HVAC, pumping.



Fluids: hot water, cold water, drinking water.

GENERAL CHARACTERISTICS

Range: DN 1/2" to DN 4".

- Non return check valve with double axial and lateral guide
- Perfect centering of the disc on the seat.
- Mounting direction is indicated by an arrow on the body.
- Easy opening under low pressure.
- Excellent mechanical resistance.
- Closure guaranteed by stainless steel return spring.
- Sealing on high pressure and low pressure assured by a flat NBR gasket.
- Low head losses.
- Installation possible in any position
- Female / female BSP connection.



STANDARDS

Connection	Threaded female BSP cylindrical ends according to ISO 228/1
Tests	Pressure test according to standards EN 12266-1, DIN 3230, BS 5154 and ISO 5208.

PRODUCT APPROVALS



Tecofi France

83 rue Marcel Mérieux - 69960 Corbas
Tél. +33 (0)4 72 79 05 79 - Fax. +33 (0)4 78 90 19 19
E-mail : sales@tecofi.fr - www.tecofi.fr



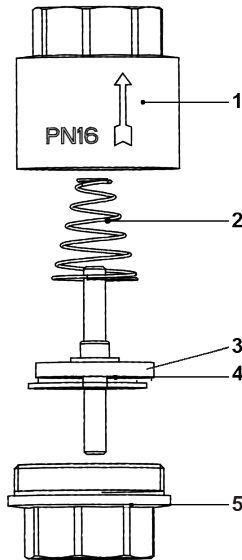
AXIAL CHECK VALVE

TECHNICAL PASSPORT

NON RETURN AXIAL CHECK VALVE BRASS BODY

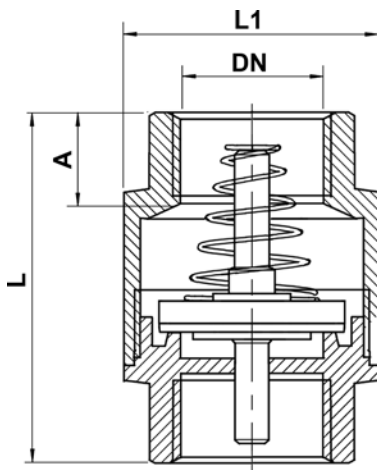
CA 1142

CONSTRUCTION



Pos.	Description	Material
1	Body	Brass CW617N
2	Spring	Stainless steel
3	Disc	PA + ABS
4	Gasket	NBR
5	Bonnet	Brass CW617N

DIMENSIONS



DN		A	L	L1	Weight (kg)
inch	mm				
1/2"	15	12	46.5	33.7	0.12
3/4"	20	12	50	39.5	0.16
1"	25	13.5	57	45.9	0.21
1"1/4	32	15	60.5	58.7	0.34
1"1/2	40	16	71	68	0.52
2"	50	17	74.5	84	0.74
2"1/2	65	23	100	98	1.15
3"	80	23.5	109.5	112	1.72
4"	100	25	114	138	3.11

WORKING CONDITIONS

Maximum working pressure : 16 bar

Maximum working temperature: -20°C /+100°C.

Tecofi France

83 rue Marcel Mérieux - 69960 Corbas

Tél. +33 (0)4 72 79 05 79 - Fax. +33 (0)4 78 90 19 19

E-mail : sales@tecofi.fr - www.tecofi.fr

