

3 WAYS THREADED BALL VALVE

TECHNICAL PASSPORT

3 WAYS THREADED BALL VALVE WITH T PORT - PN40

BST6169-02PV

APPLICATION

The 3-ways ball valve is intended to be use for isolation, mixing or deviation of the fluids in the chemical and petro-chemical industries, hydraulic systems for heating, etc.



- Fluids: water, steam, oil and compatible liquids.

GENERAL CHARACTERISTICS

- Range : from DN1/2" to DN2"
- Reduced bore, injectable stem.
- The tightness is endured by an FKM O-ring with a PTFE packing gland and by PTFE seats filled with 15% glass.
- Double antistatic system (small ball between stem-body and stem-ball)
- Locking device
- ISO 5211 mounting pad
- Tightness on 3 ways
- T port



STANDARDS

Manufacturing	Manufacturing according to ISO 9001 : 2015 Complies with the requirement of European Directive n° 2014/68/UE «Equipment under pressure» : Risk category II Module A2. Complies with European directive ATEX Group II Category 2 GD c T2 Zone 1 & 21 Zone 2 & 22.
Connection	Cylindrical BSP threaded connection according to ISO 7-1 Rp.
Tests	Tightness tests according to API 598, Table 6.

PRODUCT APPROVALS

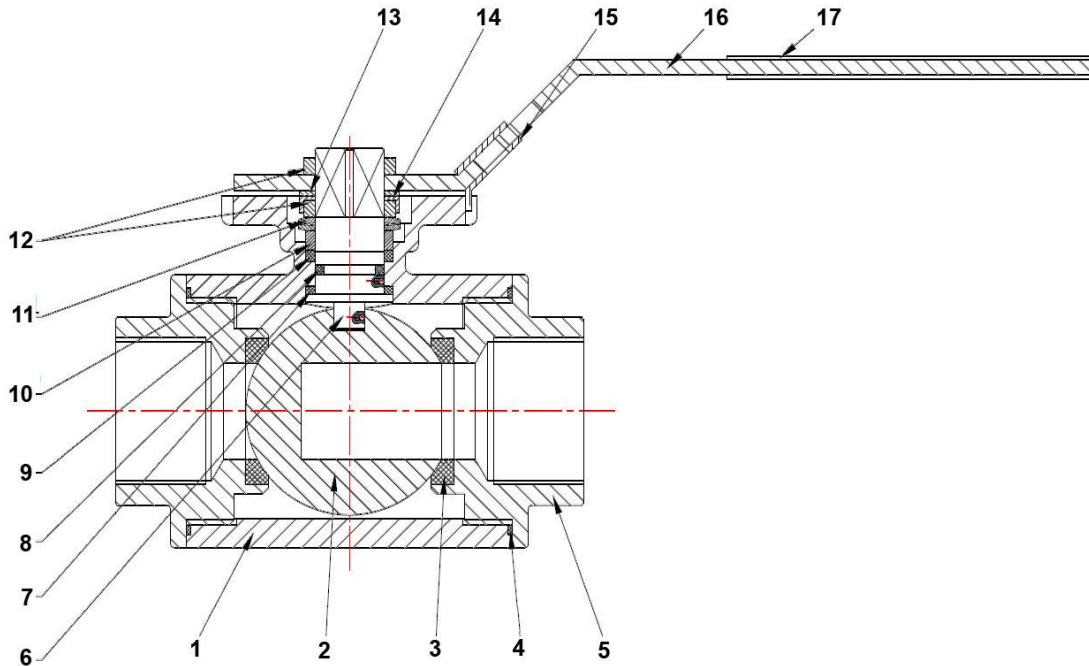


3 WAYS THREADED BALL VALVE

TECHNICAL PASSPORT

BST6169-02PV

CONSTRUCTION



Pos.	Description	Material
1	Body	Stainless steel EN 1.4408
2	Ball	Stainless steel AISI 316
3	Seat	PTFE chargé 15% verre
4	Body gasket	PTFE
5	Body	Stainless steel EN 1.4408
6	Stem	Stainless steel AISI 316
7	Stem gasket	PTFE
8	O ring	FKM
9	Packing	PTFE
10	Packing glang	Stainless steel AISI 316
11	Elastic ring	Stainless steel AISI 301
12	Nut	Stainless steel AISI 304
13	Washer	Stainless steel AISI 304
14	Packing nut	Stainless steel AISI 304
15	Locking device	Stainless steel AISI 304
16	Handle	Stainless steel AISI 304
17	Handle cover	Plastique
18	Stop pin	Stainless steel AISI 304

Tecofi France

83 rue Marcel Mérieux - 69960 Corbas
 Tél. +33 (0)4 72 79 05 79 - Fax. +33 (0)4 78 90 19 19
 E-mail : sales@tecofi.fr - www.tecofi.fr



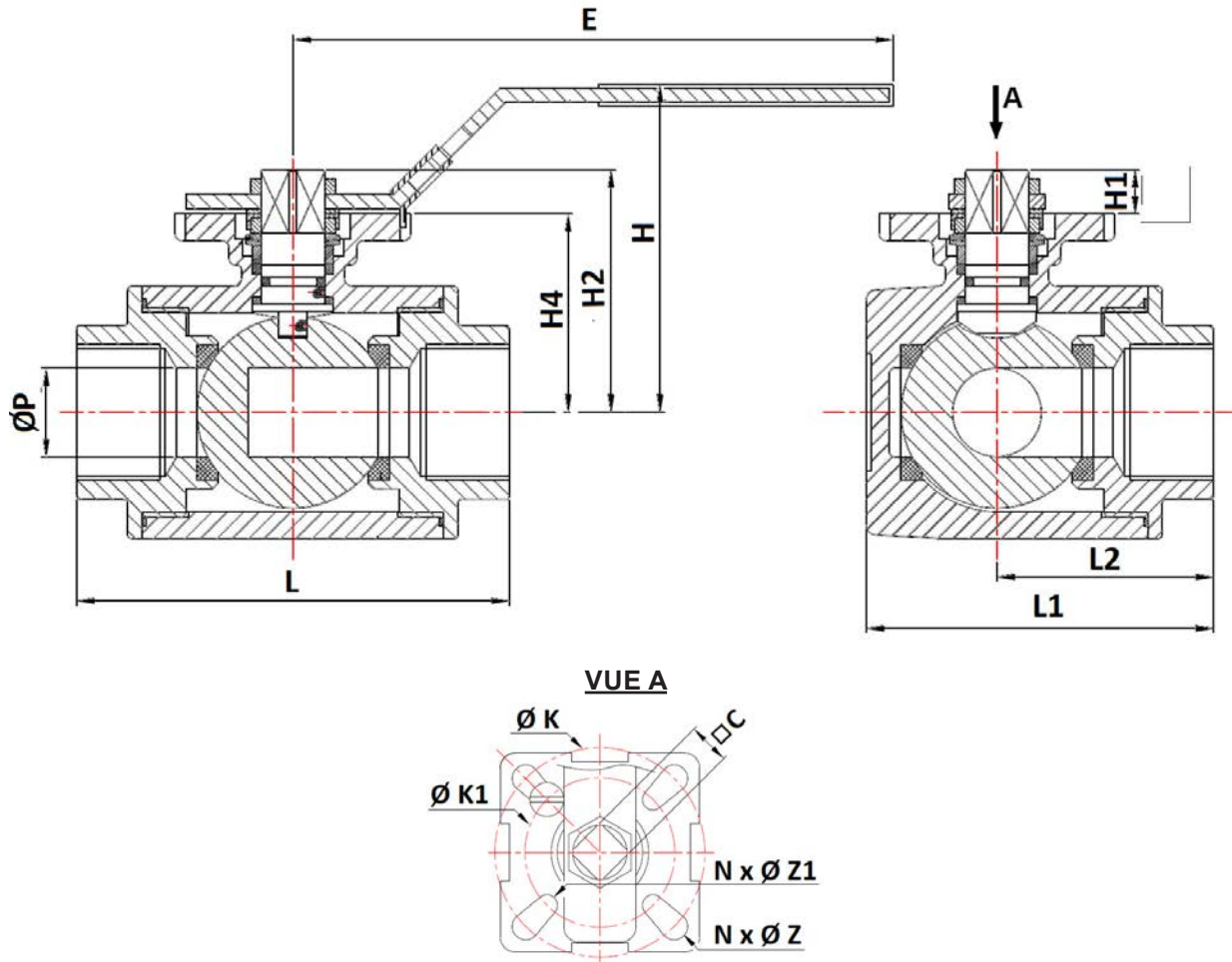
Page 2/4

3 WAYS THREADED BALL VALVE

TECHNICAL PASSPORT

BST6169-02PV

DIMENSIONS



DN		Ø P	L	L1	L2	E	H1	H1	H2	H4	C	ØK	ISO	NX ØZ	Ø K1	NX ØZ1	Kvs (m³/h)	Torque* (Nm)	Weight (kg)
mm	inch																		
8	1/4"	9.5	75	57.5	37.5	130	66	8.5	45.3	36.8	9	42	F03/F04	4 x Ø6	36	4 x Ø6	2.29	8	0.70
10	3/8"	11	75	57.5	37.5	130	66	8.5	45.3	36.8	9	42	F03/F04	4 x Ø6	36	4 x Ø6	3.86	8	0.67
15	1/2"	12	75	57.5	37.5	130	66	8.5	45.3	36.8	9	42	F03/F04	4 x Ø6	36	4 x Ø6	4.75	8	0.63
20	3/4"	15	85	65.5	42.5	161	72	11	52	41.2	11	50	F04/F05	4 x Ø7	42	4 x Ø6	5.11	9	0.94
25	1"	20	100	79	50	161	77	12	58.5	46.5	11	50	F04/F05	4 x Ø7	42	4 x Ø6	11.8	15	1.39
32	1 1/4"	25	122	97	61	203	92	13.5	69.5	56	14	70	F05/F07	4 x Ø9	50	4 x Ø7	19.6	20	2.91
40	1 1/2"	32	131	106.5	65.5	203	96	13.5	73.5	60	14	70	F05/F07	4 x Ø9	50	4 x Ø7	33.2	30	3.66
50	2"	40	158	129	79	203	107	13	83.5	70.5	14	70	F05/F07	4 x Ø9	50	4 x Ø7	53.7	45	6.31

* - The torques are given without a safety factor

Tecofi France

83 rue Marcel Mérieux - 69960 Corbas
 Tél. +33 (0)4 72 79 05 79 - Fax. +33 (0)4 78 90 19 19
 E-mail : sales@tecofi.fr - www.tecofi.fr



3 WAYS THREADED BALL VALVE

TECHNICAL PASSPORT

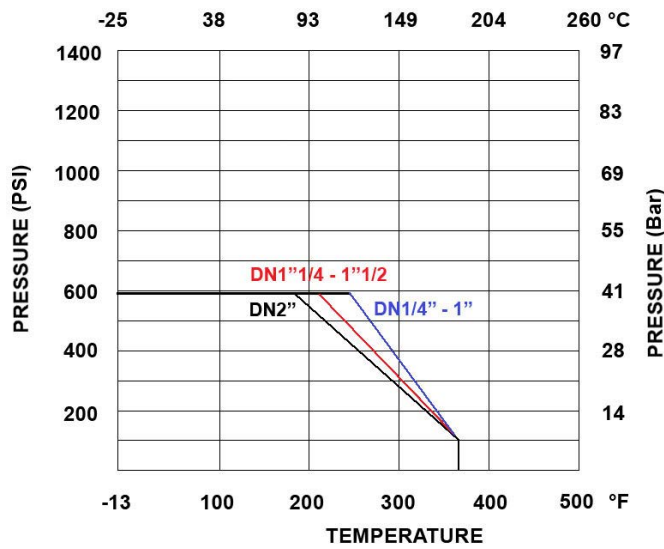
BST6169-02PV

WORKING CONDITIONS

Maximum working pressure : 40 bar

Maximum working temperature: -25°C / +180°C.

PRESSION / TEMPERATURE GRAPH (STEAM EXCLUDED)



POSSIBLE POSITIONS

T port (only 2 consecutive positions are possible)

Position T1	Position T2	Position T3	Position T4

Tecofi France

83 rue Marcel Mérieux - 69960 Corbas

Tél. +33 (0)4 72 79 05 79 - Fax. +33 (0)4 78 90 19 19

E-mail : sales@tecofi.fr - www.tecofi.fr

