

Ref. : BS 9540

Rev. : A

Date : 08/12/2020

Page : 1/1

PVC-U BALL VALVE

BS 9540



APPLICATION

- Chemical industry, environment, water treatment.
- water, acid-base fluids, acids et alkalis.

GENERAL CHARACTERISTICS

2 ways ball valve.
PTFE seat seal ensures a long life.
Fulle bore.
Manual operating (orange lever).
Union connection with smooth female ends to be glued.

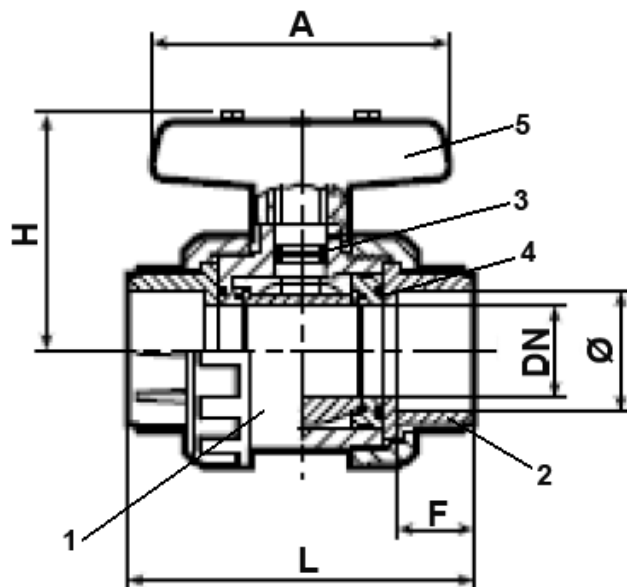


CONSTRUCTION

5	Handle	ABS
4	Seal gasket	PTFE
3	O ring	EPDM
2	End	PVC-U
1	Body	PVC-U
Pos.	Description	Material

DIMENSIONS

DN		A	F	H	L	Ø _{ext tube}	Weight (kg)
mm	inch						
10	3/8"	85	14	56	95	16	0.170
15	1/2"	85	16	56	95	20	0.166
20	3/4"	85	19	58	104	25	0.221
25	1"	99	22	68	116	32	0.330
32	1" 1/4	99	26	72	133	40	0.491
40	1" 1/2	128	31	89	149	50	0.834
50	2"	128	38	97	167	63	1.233
65	2" 1/2	184	44	129	225	75	2.749
80	3"	184	51	140	246	90	3.910
100	4"	275	61	174	309	110	7.510



WORKING CONDITIONS

