

Ref. : BS 6441.pas

Rev. : Initial

Date : 17/09/08

Page : 1/1

# FULL BORE BALL VALVE WAFER TYPE

## BS 6441



**Tecofi**  
VALVE DESIGNER - FRANCE

### APPLICATION

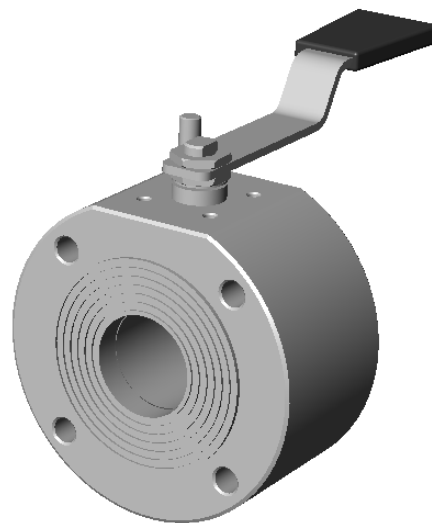
General use : fluids group 1.

### GENERAL CHARACTERISTICS

- From DN 10 to DN 200.
- Mounting between flanges.
- Threaded body PN10/16.
- Full bore.
- Antistatic device.

### CONSTRUCTION

8	1	Antistatic contact	Stainless steel 316	DIN: X5CrNiMo18 10 ASTM: A 182 AISI 316 BS: 970 316 S16
7	1	Packing flanged	Stainless steel 316	DIN: X5CrNiMo18 10 ASTM: A 182 AISI 316 BS: 970 316 S16
6	1	Stem gasket	PTFE	
5	1	Seat	PTFE	
4	1	Stem	Stainless steel 316	DIN: X5CrNiMo18 10 ASTM: A 182 AISI 316 BS: 970 316 S16
3	1	Ball	Stainless steel 316	DIN: X5CrNiMo18 10 ASTM: A 182 AISI 316 BS: 970 316 S16
2	1	Bonnet	Stainless steel 316	DIN: X5CrNiMo18 10 ASTM: A 182 AISI 316 BS: 970 316 S16
1	1	Body	Stainless steel 316	DIN: X5CrNiMo18 10 ASTM: A 182 AISI 316 BS: 970 316 S16
<b>Pos.</b>	<b>Qty.</b>	<b>Description</b>	<b>Material</b>	



### DIMENSIONS

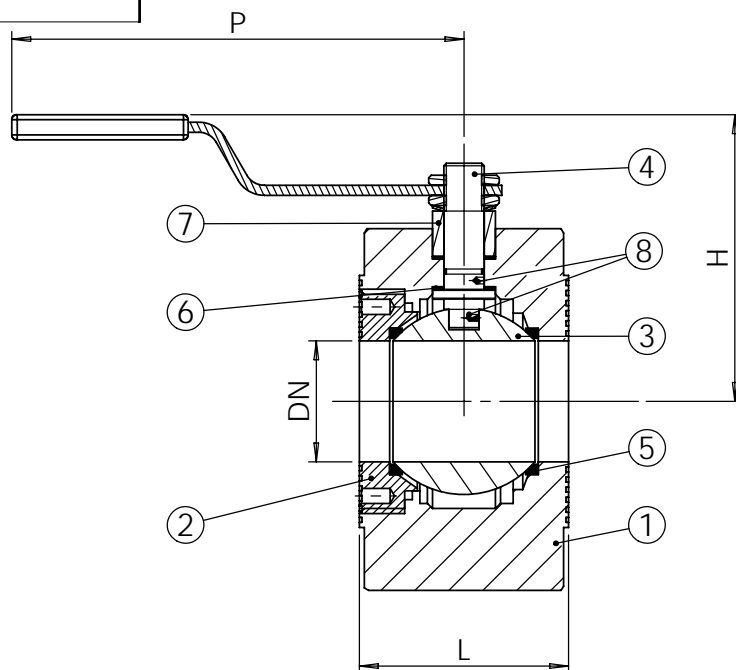
DN		L	H	P	Weight (kg)
mm	inch				
15	1/2"	38	105	148	1,8
20	3/4"	42	100	174	2
25	1"	54	105	274	3
32	1"1/4	60	110	274	5
40	1"1/2	70	128	286	6,5
50	2"	95	200	86	10
65	2"1/2	118	215	386	16
80	3"	140	220	515	22,5
100	4"	175	230	515	35
125	5"	210	250	670	48
150	6"	292	260	930	67
200	8"	36	100	148	155

### WORKING CONDITIONS

Maximum working pressure : 16 bar.  
Maximum temperature : + 180°C.

### AGREEMENT AND TESTING

Test procedures are established according to standards EN 12266-1, DIN 3230, and ISO 5208 :  
- Body : 24 bar.



**TECOFI France** - 83, Rue Marcel Mérieux 69960 Corbas - FRANCE  
Tél. +33 (0) 4 72 79 05 79 - Fax +33 (0) 4 78 90 19 19 / +33 (0) 4 72 79 05 70  
Adresses e-mail : sales@tecofi.fr ; tecofi@tecofi.fr / Site web : [www.tecofi.fr](http://www.tecofi.fr)