

Ref. : BS 6379SW pas

Rev. : Initial

Date : 10/12/2014

Page : 1/1

3PIECES FULL BORE BALL VALVE PN63

BS 6379SW



Tecofi
VALVE DESIGNER - FRANCE

APPLICATION

General use: Chemical and pharmaceutical industries, petrochemical industries.

GENERAL CHARACTERISTICS

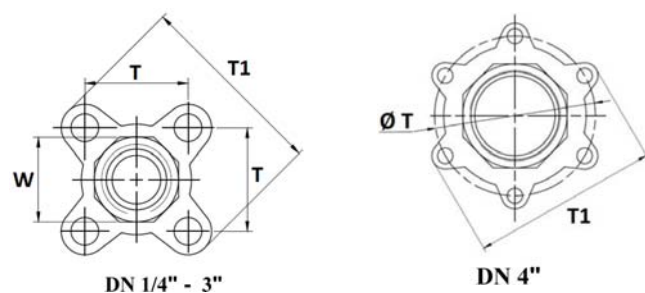
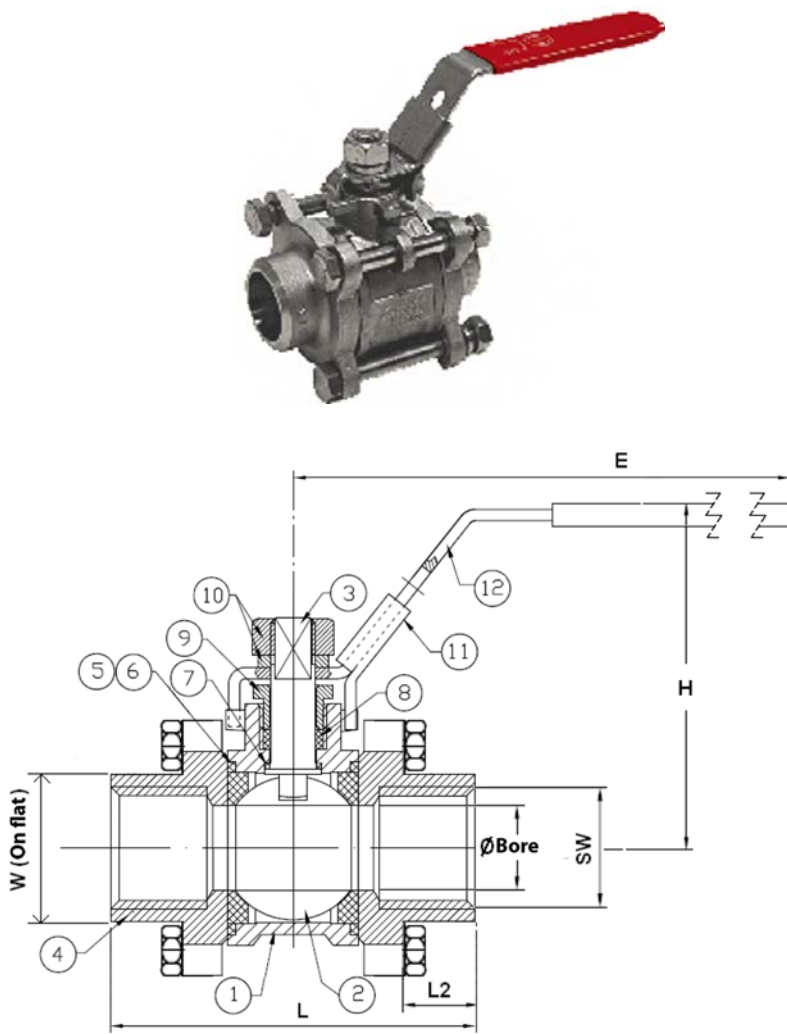
From DN1/4" to DN 4".
Full bore.
Anti blowing-out stem.
PTFE packing.
Locking device. Two parts seat for DN3/8".
Stem extension in stainless steel 304 (option)
Blue handle cover possible.

CONSTRUCTION

12	Handle	Stainless steel 304
11	Locking device	Stainless steel 304
10	Handle nut	Stainless steel 304
9	packing nut	Stainless steel 304
8	Packing	PTFE
7	Thrust washer	PTFE
6	Body gasket	PTFE filled with 15% glass
5	Seat	PTFE filled with 15% glass
4	Ends	ASTM A351 CF8M
3	Stem	Stainless steel 316
2	Ball	ASTM A351 CF8M
1	Body	ASTM A351 CF8M
Pos.	Description	Material

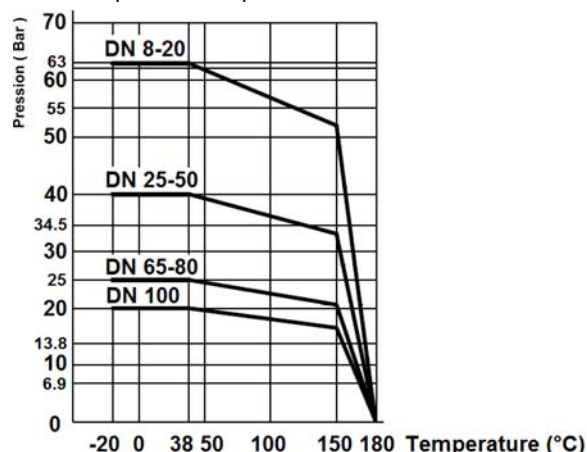
DIMENSIONS

DN		L	L2	Ø	E	H	T	T1	SW	W	Weight (kg)
mm	inch										
8	1/4"	60	10	9,2	136	52	27,2	51	14,1	18	0,33
10	3/8"	60	10	12,8	136	52	27,2	51	17,6	22	0,33
15	1/2"	63	10	15	136	63	31,8	59,5	21,9	26	0,49
20	3/4"	70	13	20	136	68	40	71	27,4	33	0,64
25	1"	82	13	25	165	79	45	80	34,2	40	0,96
32	1"1/4"	96	13	32	165	88	53	91,5	42,8	48	1,37
40	1"1/2"	107	13	38	190	97	63,3	106	48,8	55	2,2
50	2"	124	16	50	190	108	78,8	132,8	61,1	67	3,75
65	2"1/2"	164,6	16	65	300	128	98,3	164	77	84,5	6,85
80	3"	182,7	16	80	300	140	116,6	194	89,9	101	10,2
100	4"	217,7	19	100	335	172	200,5	231,5	115,4	127	20,5



WORKING CONDITIONS

Maximum working temperature : -20°C / + 180°C
Maximum pressure depends on DN



STANDARDS

Fabrication according to ISO 9001: 2008.
Pressure tests according to EN 12266-1, range A.
Connection SW.

TECOFI France - 83, Rue Marcel Mérieux 69960 Corbas - FRANCE
Tél. +33 (0) 4 72 79 05 79 - Fax +33 (0) 4 78 90 19 19 / +33 (0) 4 72 79 05 70
Adresses e-mail : sales@tecofi.fr ; tecofi@tecofi.fr / Site web : www.tecofi.fr

The photographs and technical art works are not contractual. The specifications of the presented products are open to modifications without previous advice.