

Ref. : BS 6260.pas

Rev. : E

Date : 08/02/2017

Page : 1/1

3 PIECES FLANGED BALL VALVE

BS 6260

ISO 9001
BUREAU VERITAS
Certification



EAC

Tecofi
VALVE DESIGNER - FRANCE

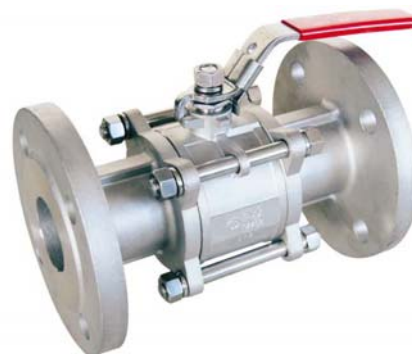


APPLICATION

General use : Chemical and pharmaceutical industries, petrochemical industries, hydraulic installation, compressed air

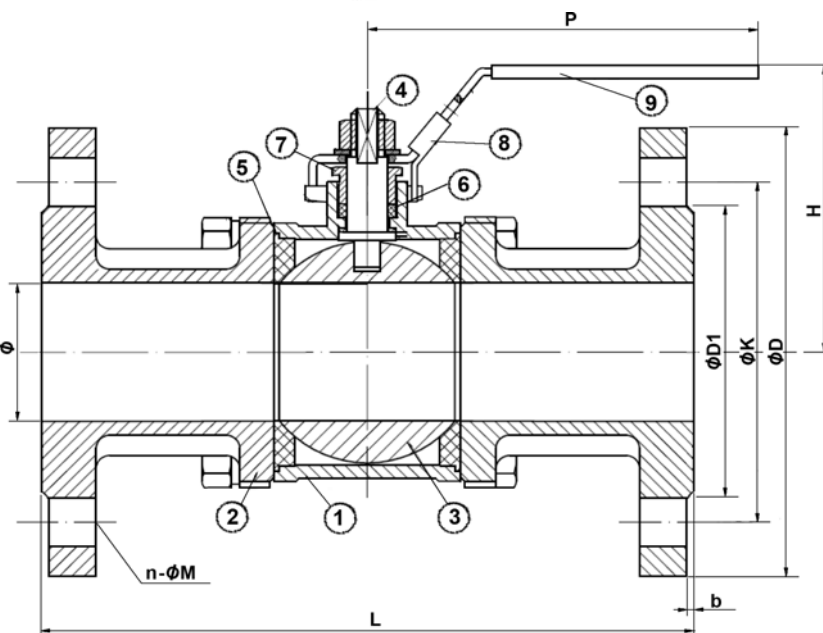
GENERAL CHARACTERISTICS

Full bore
Anti blow-out stem
PTFE packing
PTFE filled with 15% glass fiber seat
Locking device
3 pieces type
PN40 R.F. flanges



CONSTRUCTION

9	Handle	Stainless steel 304
8	Locking device	Stainless steel 304
7	Packing gland	Stainless steel 304
6	Packing	PTFE
5	Seat	PTFE + 15% fiber
4	Stem	Stainless steel 316
3	Ball	Stainless steel CF8M
2	Ends	Stainless steel CF8M
1	Body	Stainless steel CF8M
Pos.	Description	Material

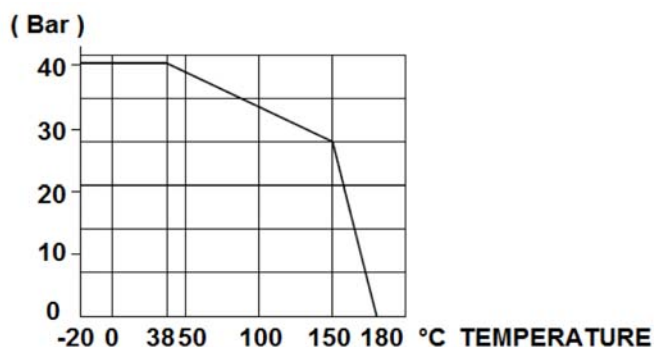


DIMENSIONS

DN	L	H	P	ØD	ØD1	ØK	n-ØM	b	Ø	Weight (kg)	
15	1/2"	130	83	129	95	45	65	4-Ø14	2	15	2
20	3/4"	150	88	129	105	58	75	4-Ø14	2	20	2.76
25	1"	160	89	143	115	68	85	4-Ø14	2	25	3.58
32	1" 1/4	180	98	143	140	78	100	4-Ø18	2	32	5.23
40	1" 1/2	200	109	170	150	88	110	4-Ø18	3	38	6.55
50	2"	230	120	170	165	102	125	4-Ø18	3	50	9.62
65	2" 1/2	290	152	254	185	122	145	8-Ø18	3	65	15.40
80	3"	310	164	254	200	138	160	8-Ø18	3	80	20.35
100	4"	350	170	335	235	162	190	8-Ø22	3	100	34.20

WORKING CONDITIONS

Maximum Working pressure : 40 bar
Maximum temperature : -20°C /+ 180 °C



STANDARDS

- Pressure tests according to API 598-04, table 6
- R.F. flanges according to EN 1092-1 PN40
- Length according to EN 558 series 1 (NF 29355 DIN 3202 F1)

TECOFI France - 83, Rue Marcel Mérieux 69960 Corbas - FRANCE
Tél. +33 (0) 4 72 79 05 79 - Fax +33 (0) 4 78 90 19 19 / +33 (0) 4 72 79 05 70
Adresses e-mail : sales@tecofi.fr ; tecofi@tecofi.fr / Site web : www.tecofi.fr