

Ref. : BS 6241T pas

Rev. : Initial

Date : 17/10/2013

Page : 1/1

FLANGED TYPE T PORT 3 WAYS BALL VALVE PN16 FULL BORE

BS 6241T



Tecofi
VALVE DESIGNER - FRANCE

APPLICATION

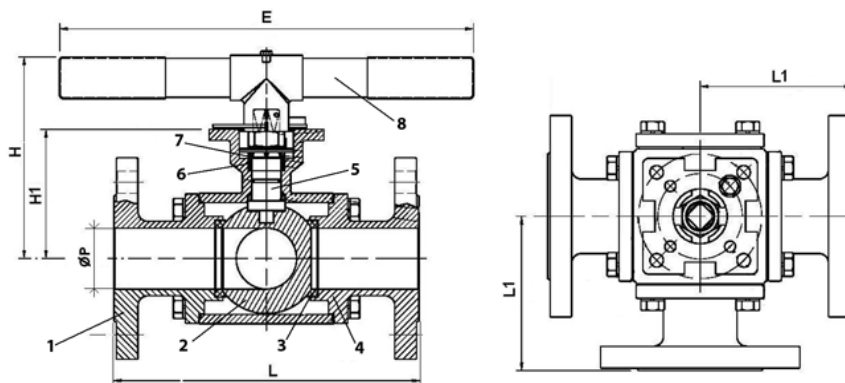
General use : Chemical industries, petrochemical industries, hydraulic installation, heating, water distribution, compressed air.

GENERAL CHARACTERISTICS

From DN25 to DN150.
Full bore
Anti blow-out stem
PTFE seat filled with glass
Locking device
ISO 5211 mounting pad
Tightness on 3 ways T port.
Trunnion mounted ball valve from DN100 to DN150

CONSTRUCTION

8	Handle	SS 304 (DN25-40) Steel (DN 50 - 150)
7	Gland packing	PTFE filled with 25% grafoil
6	Packing	PTFE
5	Stem	SS 316
4	End	ASTM A351 CF8M
3	Seat	PTFE filled with 15% glass
2	Ball	ASTM A351 CF8M
1	Body	ASTM A351 CF8M
Pos.	Description	Materail



DIMENSIONS

DN	ØP	L	L1	E	H	H1	H2	Weight (kg)
25	1"	25	185	92,5	218	102	64	7,5
32	1"1/4	32	195	97,5	235	118,5	79	10,9
40	1"1/2	38	232	116	235	127	88,5	14,9
50	2"	49	253	126,5	300	156,6	105,8	19
65	2"1/2	64	278	139	300	168,85	117,3	23,75
80	3"	76	292,2	146,1	300	178	128	34,5
100	4"	99	360	180	600		123 193	61,8
125	5"	125	416	208	600		163 233	95
150	6"	150	473	236,5	800		188,5 266	127

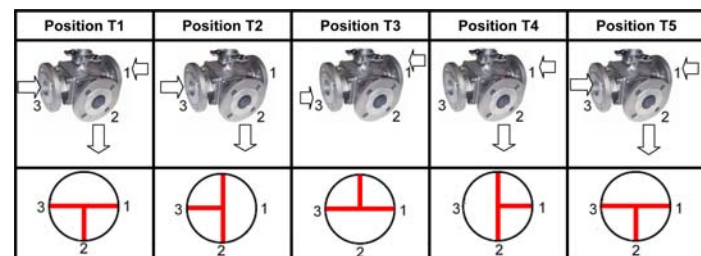
WORKING CONDITIONS

Maximum working temperature : -30°C / + 150°C
Maximum working pressure : 16 bar

STANDARDS

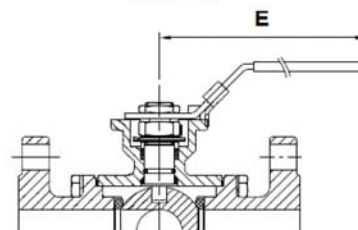
Fabrication saccording to ISO 9001 : 2008.
Tests according to EN 12266-1, Range A.
Flanges R.F. ISO PN16 according to EN 1092-1.
ISO 5211 mounting pad.

Operating positions

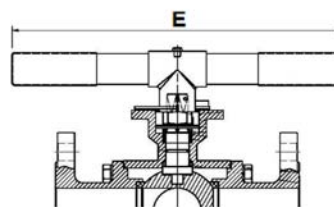


Handle types

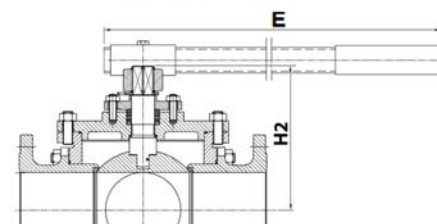
DN 25 - 40



DN 50 - 80



DN 100-150



TECOFI France - 83, Rue Marcel Mérieux 69960 Corbas - FRANCE
Tél. +33 (0) 4 72 79 05 79 - Fax +33 (0) 4 78 90 19 19 / +33 (0) 4 72 79 05 70
Adresses e-mail : sales@tecofi.fr ; tecofi@tecofi.fr / Site web : www.tecofi.fr