

Ref. : BS 6162 pas

Rev. : Initial

Date : 27/09/2016

Page : 1/1

# REDUCED BORE ONE-PIECE BALL VALVE SERIE 800 PSI

## BS 6162



### APPLICATION

General use: Industry, construction and public works.

### GENERAL CHARACTERISTICS

Range from DN1/4" to DN2".

Reduced bore.

Anti blow-out stem.

Locking device.

Solid ball.

One-piece type.

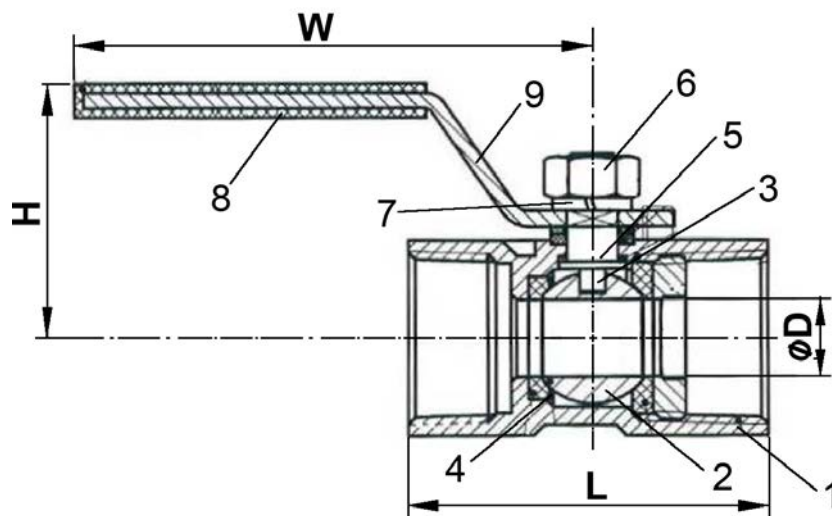


### CONSTRUCTION

9	Handle	Stainless steel 304
8	Handle coating	Plastic
7	Handle washer	Stainless steel 304
6	Nut	Stainless steel 304
5	Stem bushing	PTFE
4	Seat	PTFE 15% glass fiber
3	Stem	Stainless steel 316
2	Ball	Stainless steel 316
1	Body	Stainless steel CF8M
<b>Pos.</b>	<b>Description</b>	<b>Material</b>

### DIMENSIONS

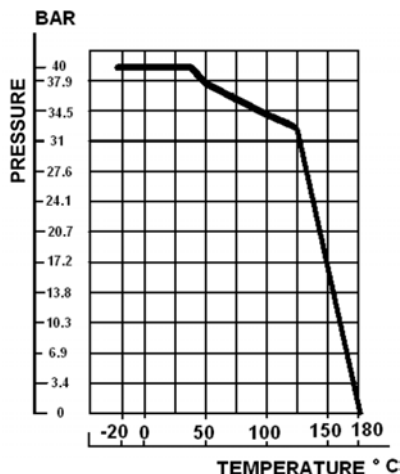
DN		L	D	H	W	Weight (kg)
mm	inch					
8	1/4"	39	5	33	71	0,66
10	3/8"	44	7	35	91	0,10
15	1/2"	55	9,2	40	95	0,15
20	3/4"	59	12,5	44	95	0,26
25	1"	69	15	50	113	0,36
32	1"1/4"	77	20	57	113	0,65
40	1"1/2"	81	25	64	141	0,76
50	2"	97	32	68	141	1,20



### WORKING CONDITIONS

Maximum pressure : 55 bar

Maximum working temperature : -20°C / + 180°C



### STANDARDS

BSP female/female connection according to ISO 228.1.

**TECOFI France** - 83, Rue Marcel Mérieux 69960 Corbas - FRANCE  
 Tél. +33 (0) 4 72 79 05 79 - Fax +33 (0) 4 78 90 19 19 / +33 (0) 4 72 79 05 70  
 Adresses e-mail : sales@tecofi.fr ; tecofi@tecofi.fr / Site web : [www.tecofi.fr](http://www.tecofi.fr)