

Ref. : BS 6160 pas

Rev. : Initial

Date : 17/04/2015

Page : 1/1

REDUCED BORE 1 PIECE BALL VALVE PN40

BS 6160



Tecofi
VALVE DESIGNER - FRANCE

APPLICATION

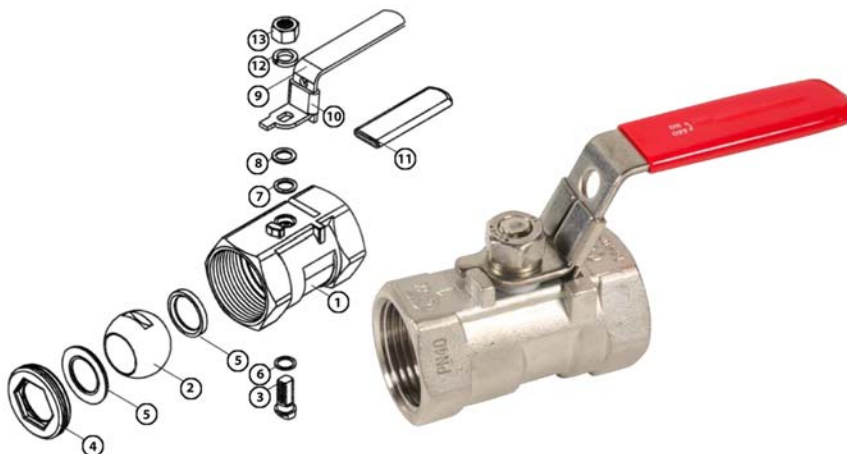
General use: Chemical and pharmaceutical industries, petrochemical industries, hydraulic installation, compressed air

GENERAL CHARACTERISTICS

Range from DN1/4" to DN2".

Reduced bore
Anti blow-out stem
Locking device
Solid ball
1 piece type

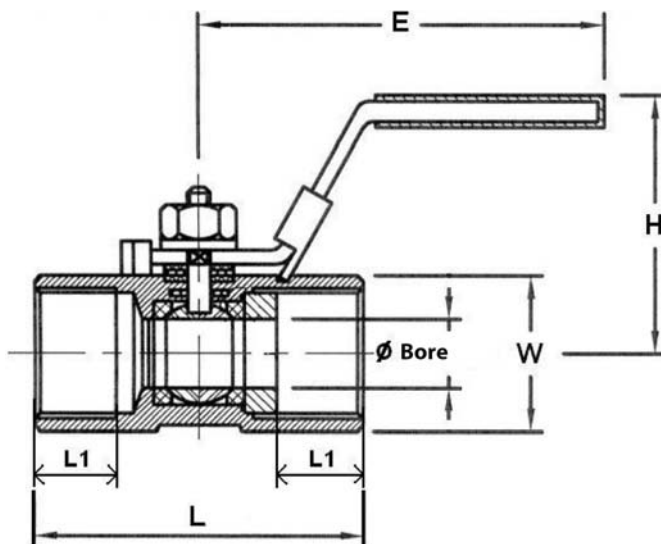
CONSTRUCTION



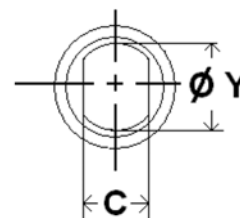
13	Handle nut	SS 304
12	Handle washer	SS 304
11	Handle coating	Plastic
10	Locking device	SS 304
9	Handle	SS 304
8	Gland	SS 304
7	Thrust washer	PTFE
6	Stem packing	PTFE
5	Seat	PTFE
4	Insert	SS 316
3	Stem	SS 316
2	Ball	SS ASTM A351 CF8M
1	Body	SS ASTM A351 CF8M
Pos.	Description	Material

DIMENSIONS

DN		L	E	H	L1	W	C	ØY	Weight (kg)
mm	inch								
8	1/4"	39	62	31	9,5	17	3	4,6	0,06
10	3/8"	44	62,5	35,5	10,5	21	4	6	0,10
15	1/2"	56,5	96	40	14	25	5	7	0,19
20	3/4"	58,5	96	44	15	32	5	7	0,26
25	1"	71	101	50	17	38	6	9	0,41
32	1 1/4"	78	101	54	19	48	6	9	0,62
40	1 1/2"	83	135	70	20	53	8	11,5	0,84
50	2"	100	135	75	23	64	8	11,5	1,33

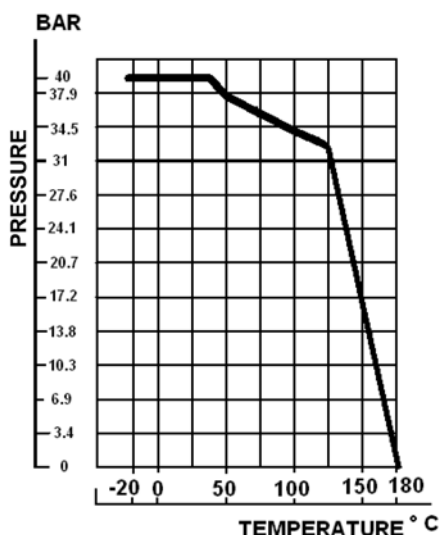


Stem dimensions



WORKING CONDITIONS

Maximum working temperature : -20°C / + 180°C
Maximum pressure : following DN



STANDARDS

Fabrication according to ISO 9001: 2008.
Pressure tests according to EN 12266-1, Range A.
Threaded cylindrical BSP according to ISO 228.1.

TECOFI France - 83, Rue Marcel Mérieux 69960 Corbas - FRANCE
Tél. +33 (0) 4 72 79 05 79 - Fax +33 (0) 4 78 90 19 19 / +33 (0) 4 72 79 05 70
Adresses e-mail : sales@tecofi.fr ; tecofi@tecofi.fr / Site web : www.tecofi.fr