

Ref. : BS 1658.pas

Rev. : D

Date : 18/12/2012

Page : 1/1

# REDUCE BORE BALL VALVE

## BS 1658



**Tecofi**  
VALVE DESIGNER - FRANCE

### APPLICATION

- General use : compressed air, oil, alcohol, gas, carbonates, etc.

### GENERAL CHARACTERISTICS

- From DN 1/4" to DN 3".
- Nickled brass body and mobil body.
- Chromed brass ball.

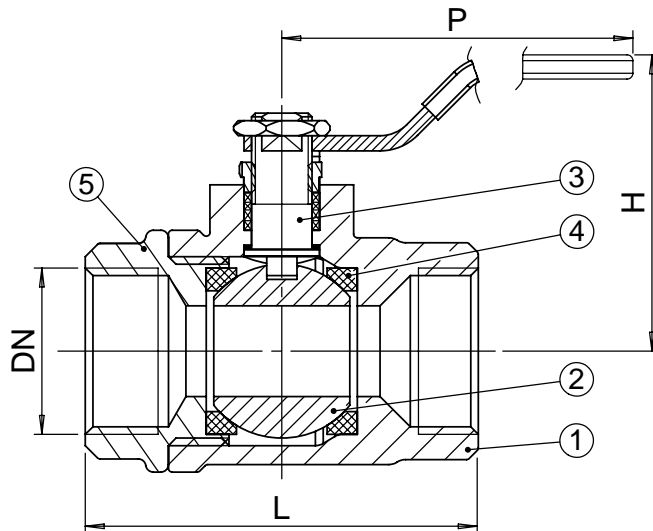


### CONSTRUCTION

Pos.	Qty.	Description	Material	
5	1	Mobil body	Brass	DIN: CuZn398Pb2 ASTM: C37700 BS: CZ121
4	2	Seat	PTFE	
3	1	Stem	Brass	
2	1	Ball	Brass	DIN: CuZn398Pb2 ASTM: C37700 BS: CZ121
1	1	Body	Brass	DIN: CuZn398Pb2 ASTM: C37700 BS: CZ121

### DIMENSIONS

DN		L	H	P	Weight (kg)
mm	inch				
8	1/4"	41,5	44,0	81,0	0,12
12	3/8"	41,5	44,0	81,0	0,12
15	1/2"	46,5	47,0	85,0	0,134
20	3/4"	49,5	49,0	91,0	0,175
25	1"	59,5	52,0	105,0	0,275
32	1" 1/4	68	64,0	116,5	0,47
40	1" 1/2	80,0	67,0	118,5	0,63
50	2"	92,0	77,0	132,0	0,97
65	2" 1/2	111	97,0	151,5	1,55
80	3"	124	105	178,0	2,31



### WORKING CONDITIONS

PS max : 16 bar  
T max : - 20°C / +120 °C

Test procedures are established according to standards EN 12266-1, DIN 3230, BS 5154 and ISO 5208 :  
- Body : 24 bar.

### STANDARDS

BSP threaded according to standard ISO 228-1.

**TECOFI France** - 83, Rue Marcel Mérieux 69960 Corbas - FRANCE  
Tél. +33 (0) 4 72 79 05 79 - Fax +33 (0) 4 78 90 19 19 / +33 (0) 4 72 79 05 70  
Adresses e-mail : sales@tecofi.fr ; tecofi@tecofi.fr / Site web : [www.tecofi.fr](http://www.tecofi.fr)