

Ref. : BS 1169MMP.pas

Rev. : Initial

Date : 10/09/2013

Page : 1/1

# FULL BORE BALL VALVE MALE/MALE THREADED

## BS 1169MMP



**Tecofi**  
VALVE DESIGNER - FRANCE

### APPLICATION

General use : Watering, water distribution, heating, drinkable water, air-conditioning.

### GENERALES CHARACTERISTICS

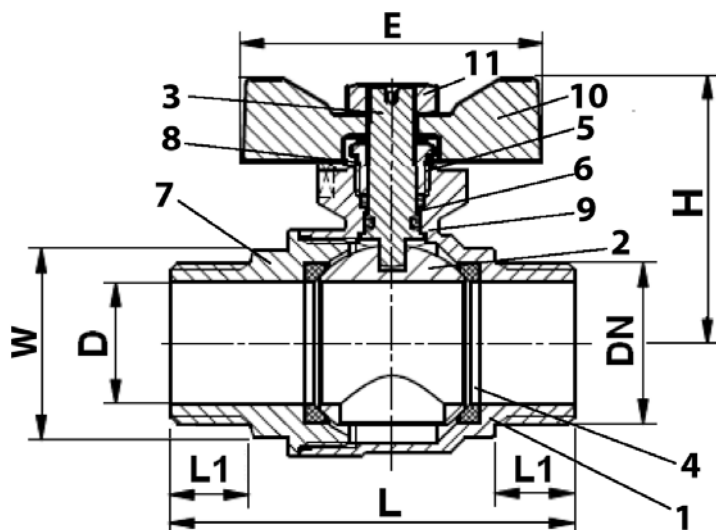
From DN3/8" to DN 1".  
Fabrication according to NF079.  
Full bore.  
Anti blow-out stem.  
Solid ball.  
Drilled ball ( to avoid water stagnation between ball and body )  
PTFE G200 packing + O ring EPDM 4270 on stem.  
Handle operating.  
Operating by butterfly handle.



**ACS**

### CONSTRUCTION

11	Nut	Galvanized steel	Geomet 321 coated
10	Handle	Aluminium	
9	O ring	PTFE	
8	Packing nut	Brass	CW614 N according to EN 12164
7	External body	Brass	CW617 N suivant EN 12165
6	Packing gland	PTFE	
5	Packing	Brass	CW614 N according to EN 12164
4	Seat	PTFE G400	
3	Stem	Brass	CW614 N according to EN 12164
2	Ball	Brass	CW617 N suivant EN 12165
1	Body	Brass	CW617 N according to EN 12165
<b>Pos.</b>	<b>Description</b>	<b>Material</b>	



### DIMENSIONS

DN		L	L1	H	D	E	W	Weight (kg)
mm	inch							
12	3/8"	49,5	10,5	36,5	10	50	17	0,105
15	1/2"	55	11	40,5	15	50	22	0,161
20	3/4"	66	13	44	20	50	27	0,249
25	1"	77,5	15	54,5	25	60	34	0,433

### WORKING CONDITIONS

Working temperature: - 5°C / +90°C  
Peak temperature : +110°C ( maximum 1 hour )

Working pressure : 40 bar - from DN1/4" to DN 3/4"  
25 bar - DN 1"

### STANDARDS

BSP threaded male/male BSP according to standard ISO 228-1.

**French water agreement ACS n° ACC LY 136**

**TECOFI France** - 83, Rue Marcel Mérieux 69960 Corbas - FRANCE  
Tél. +33 (0) 4 72 79 05 79 - Fax +33 (0) 4 78 90 19 19 / +33 (0) 4 72 79 05 70  
Adresses e-mail : sales@tecofi.fr ; tecofi@tecofi.fr / Site web : [www.tecofi.fr](http://www.tecofi.fr)