

Ref. : BS 1169FFR.pas

Rev. : Initial

Date : 04/09/2013

Page : 1/1

FULL BORE BALL VALVE WITH EXTENSION STEM

BS 1169FFR



APPLICATION

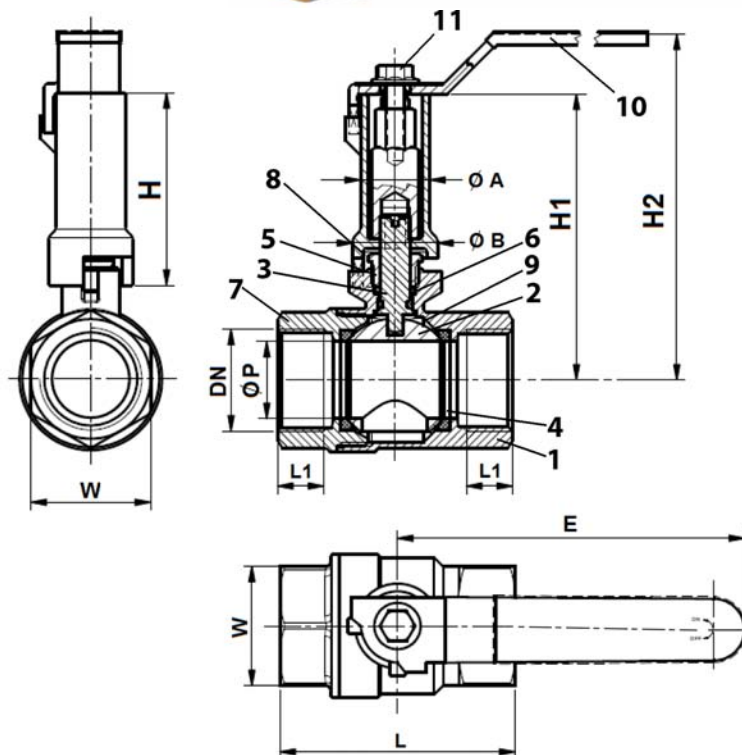
General use : Watering, water distribution, heating, drinkable water, air-conditioning.

GENERALES CHARACTERISTICS

From DN1/2" to DN 2".
Fabrication according to NF079.
Full bore.
Anti blow-out stem.
Solid ball.
Drilled ball (to avoid water stagnation between ball and body) up to DN 1"1/2.
PTFE G200 packing + O ring EPDM 4270 on stem.
Reversible handle, green color RAL 6029.
Removable stem extension.

CONSTRUCTION

11	Nut	Galvanized steel	Geomet 321 coated
10	Handle	Galvanized steel	Geomet 321 coated
9	O ring	PTFE	
8	Packing nut	Brass	CW614 N according to EN 12164
7	External body	Brass	CW617 N suivant EN 12165
6	Packing gland	PTFE	
5	Packing	Brass	CW614 N according to EN 12164
4	Seat	PTFE G400	
3	Stem	Brass	CW614 N according to EN 12164
2	Ball	Brass	CW617 N suivant EN 12165
1	Body	Brass	CW617 N according to EN 12165
Pos.	Description	Material	



DIMENSIONS

DN		L	L1	H	H1	H2	E	W	Weight (kg)
mm	inch								
15	1/2"	51	11	50	71	87	90	25	0,270
20	3/4"	61	12	50	74	90	90	31	0,360
25	1"	71	14	54	81,5	103	115	38	0,560
32	1"1/4	84	16	68	102	124	130	47	0,880
40	1"1/2	93	16	68	108	130	130	54	1,160
50	2"	112	19	68	121	143	150	66	1,880

WORKING CONDITIONS

Working temperature: - 5°C / +90°C
Peak temperature : +110°C (1 heure maxi)

Working pressure : 40 bar - from DN1/2" to DN 3/4"
25 bar - from 1" to 1"1/4,
16 bar - from 1"1/2 to 2"

STANDARDS

BSP threaded male/female BSP according to standard ISO 228-1.

French water agreement ACS n° ACC LY 137

TECOFI France - 83, Rue Marcel Mérieux 69960 Corbas - FRANCE
Tél. +33 (0) 4 72 79 05 79 - Fax +33 (0) 4 78 90 19 19 / +33 (0) 4 72 79 05 70
Adresses e-mail : sales@tecofi.fr ; tecofi@tecofi.fr / Site web : www.tecofi.fr