

Ref. : BS 1167.pas

Rev. : Initial

Date : 03/11/2008

Page : 1/1

3 WAYS "T" BALL VALVE BS 1167



Tecofi
VALVE DESIGNER - FRANCE

APPLICATION

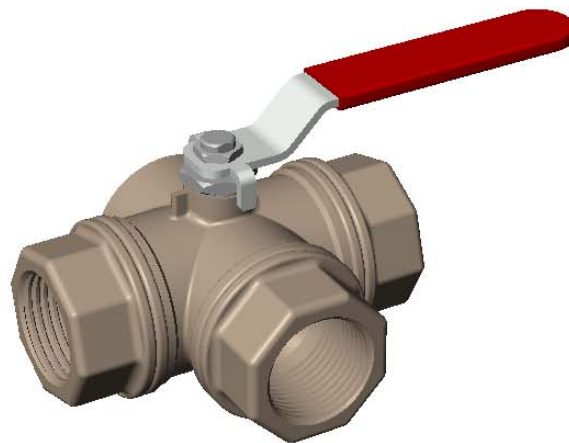
General use : for all kind of fluids.

GENERAL CHARACTERISCS

From DN 1/4" to DN 2".
Reduce bore.
Sealing of the axis by packing flanged.
Flat handle.

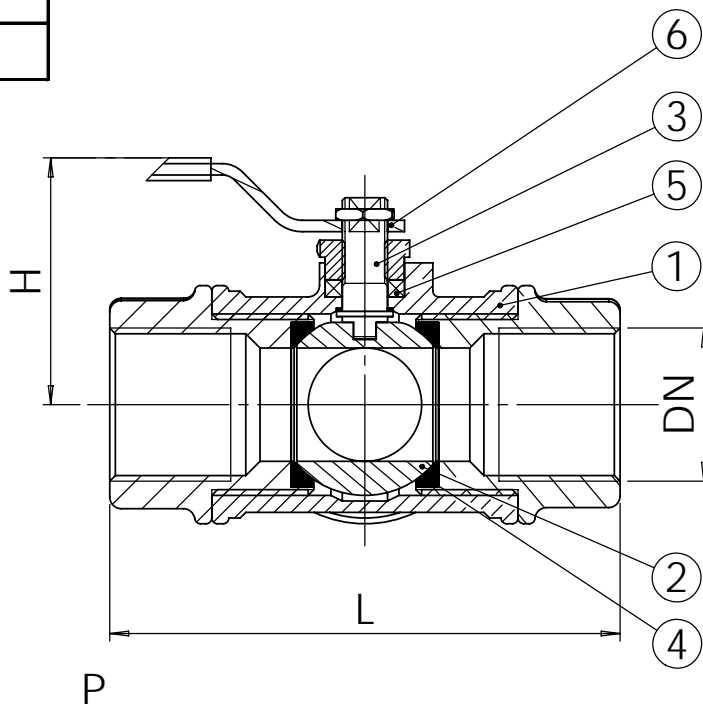
CONSTRUCTION

| | | | | |
|-------------|------------|--------------------|----------------|---|
| 6 | 1 | Handle | Steel | |
| 5 | 1 | Packing gasket | PTFE | |
| 4 | 2 | Seat | PTFE | |
| 3 | 1 | Stem | Brass | DIN: CuZn36Pb3 ASTM: B16 C36000 BS: 12164 CZ124 |
| 2 | 1 | Ball | Brass | |
| 1 | 1 | Body | Brass | |
| Rep. | Nb. | Désignation | Matière | |



DIMENSIONS

| DN | | L | H | P | A | Weight (kg) |
|----|-------|------|------|-------|-------|-------------|
| mm | inch | | | | | |
| 8 | 1/4" | 81 | 64 | 125,5 | 64,5 | 0,69 |
| 12 | 3/8" | 81 | 64 | 125,5 | 64,5 | 0,65 |
| 15 | 1/2" | 82 | 64 | 125,5 | 65 | 0,66 |
| 20 | 3/4" | 90,5 | 67 | 125,5 | 74 | 0,86 |
| 25 | 1" | 105 | 72 | 161 | 86 | 1,41 |
| 32 | 1"1/4 | 116 | 78,5 | 161 | 94 | 1,89 |
| 40 | 1"1/2 | 140 | 92 | 220 | 116,5 | 3,61 |
| 50 | 2" | 164 | 98 | 220 | 135 | 5,24 |

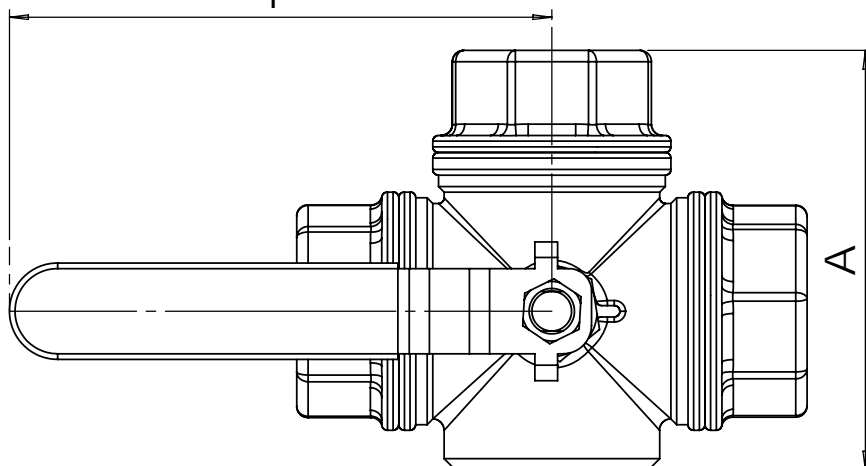


WORKING CONDITIONS

Maximum working pressure : 16 bar.
Maximum differential pressure : 5 bar
Maximum temperature : + 90°C.

AGREMENT AND TESTING

BSP threaded according to standard ISO 228-1.



TECOFI France - 83, Rue Marcel Mérieux 69960 Corbas - FRANCE
Tél. +33 (0) 4 72 79 05 79 - Fax +33 (0) 4 78 90 19 19 / +33 (0) 4 72 79 05 70
Adresses e-mail : sales@tecofi.fr ; tecofi@tecofi.fr / Site web : www.tecofi.fr