

Ref. : BS 1161NPT pas

Rev. : Initial

Date : 05/01/2015

Page : 1/1

BALL VALVE WITH HANDLE

BS 1161NPT



Tecofi
VALVE DESIGNER - FRANCE

APPLICATION

General use: For all common fluids

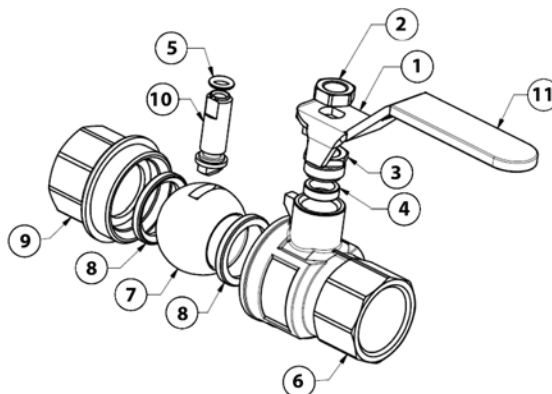
GENERAL CHARACTERISTICS

Heavy model
Long threaded ends
Full bore
Anti blow out stem
Solid ball
Packing PTFE + EPDM O ring
Black flat steel handle or black butterfly
aluminium handle for NPT threaded types



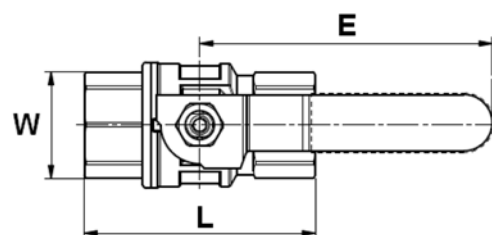
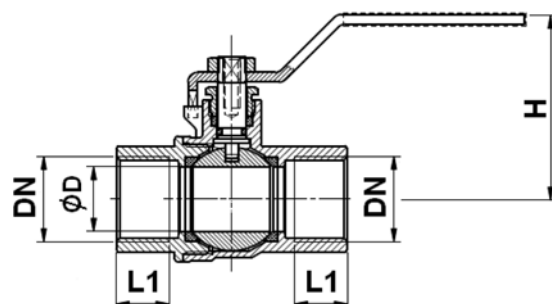
CONSTRUCTION

11	Handle cover	Plastic
10	Stem	Brass CW 614 N according to EN 12164
9	Bonnet	Nickeled brass CW 617 N according to EN 12165
8	Seat	PTFE
7	Ball	Chromed brass CW 617 N according to EN 12165
6	Body	Nickeled brass CW 617 N according to EN 12165
5	O ring	EPDM
4	Packing	PTFE
3	Packing nut	Brass CW 614 N according to EN 12164
2	Handle screw	Steel
1	Handle	Galvanized steel
Pos.	Description	Material



DIMENSIONS

DN		ØD	L	L1	E	H	W	Weight (kg)
mm	inch							
6	1/8"	9	37,7	10	60	35	20	0,110
8	1/4"	10	46,5	10	80	40,5	21	0,141
10	3/8"	10	46,5	10	80	40,5	21	0,125
15	1/2"	15	62	15	90	53,5	26	0,260
20	3/4"	20	71	16	90	57,5	31	0,340
25	1"	25	81,5	19	130	66,5	38	0,609
32	1 1/4"	32	92	21	130	72	48	0,878
40	1 1/2"	40	102	21	150	83,5	55	1,337
50	2"	49	126	26	150	90	68	1,990
65	2 1/2"	60	138	26	203	116	85	3,09
80	3"	74	162	27	280	132	98	4,81
100	4"	94	181	28	280	150	123	7,96



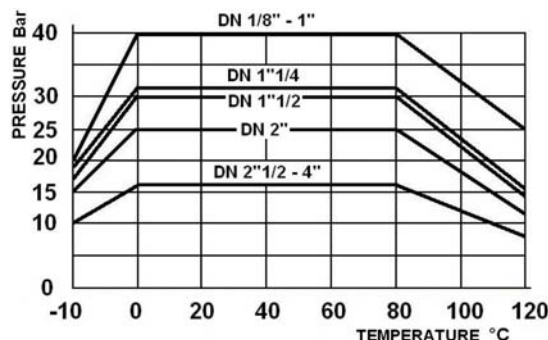
WORKING CONDITIONS

Maximum working temperature : -20°C / + 120°C

Maximum working pressure : 40 bar - (DN 1/8" - DN 1")
32 bar - DN 1 1/4"
30 bar - DN 1 1/2"
25 bar - DN 2"
16 bar - (DN 2 1/2" - DN 4")

STANDARDS

Fabrication according to ISO 9001 : 2008
· DIRECTIVE 2014/68/UE : Products excluded from directive up to DN1" (Article 3, § 3)
Risk category I module A from DN1 1/4" to DN2"
Threaded female NPT ends according to ANSI B1.20.1



TECOFI France - 83, Rue Marcel Mérieux 69960 Corbas - FRANCE
Tél. +33 (0) 4 72 79 05 79 - Fax +33 (0) 4 78 90 19 19 / +33 (0) 4 72 79 05 70
Adresses e-mail : sales@tecofi.fr ; tecofi@tecofi.fr / Site web : www.tecofi.fr