

THREADED BALL VALVE

TECHNICAL PASSPORT

THREADED BALL VALVE WITH DRAIN VALVE

BS 1152E

APPLICATION

Area of use: water and air distribution.



Fluid: drinking water, water, air.

GENERAL CHARACTERISTICS

- Range : DN 1/2" to DN 2".
- Anti blow-out stem.
- Gland packing for stem tightness
- With drain valve
- BSP connection according to ISO 228-1.

CONSTRUCTION

Pos.	Description	Material
1	Body	Nickel plated brass CW617N
2	Seat	PTFE
3	Ball	Chromed Brass
4	Bonnet	Nickel plated brass CW617N
5	Stem	Brass
6	O-ring	NBR
7	Stem packing	PTFE
8	Gland nut	Brass
9	Handle	Steel
10	Lock nut	Brass
11	Washer	NBR
12	Gland nut	Brass
13	Handle	Brass

DIMENSIONS

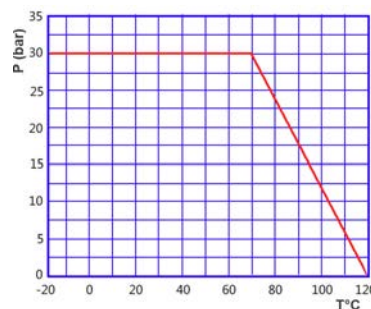
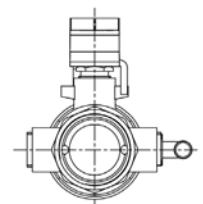
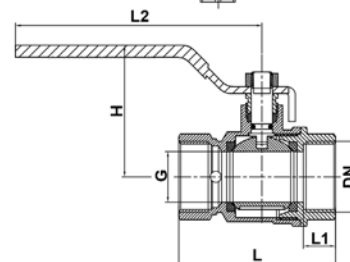
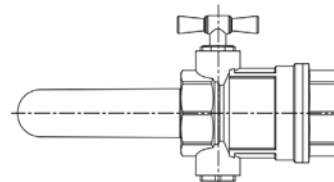
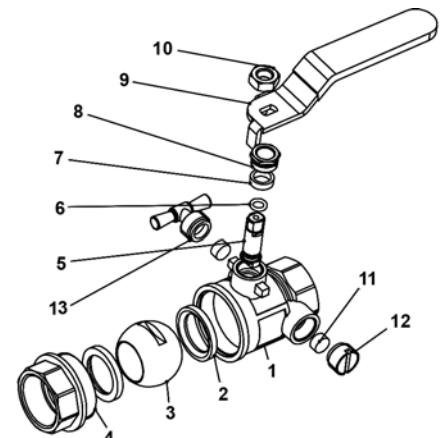
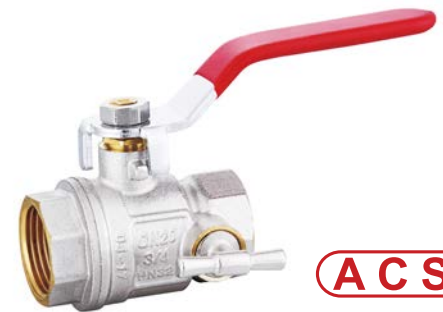
DN		G	L	L1	H	L2	Weight (kg)
inch	mm						
1/2"	15	14	53	11.5	45.5	84	0.20
3/4"	20	19	58.5	12	49.1	104	0.30
1"	25	23	67.8	13.5	54.5	104	0.47
1 1/4"	32	30	81	15	75.5	124	0.65
1 1/2"	40	37	96.5	16	83.5	153.5	0.95
2"	50	45	111	18	93.5	153.5	1.37

WORKING CONDITIONS

Maximum working pressure : 30 bar
(6 bar maximum for air)

Maximum working temperature: -20°C /+120°C.

PRODUCT APPROVALS



Tecofi France

83 rue Marcel Mérieux - 69960 Corbas
Tél. +33 (0)4 72 79 05 79 - Fax. +33 (0)4 78 90 19 19
E-mail : sales@tecofi.fr - www.tecofi.fr

ISO 9001
ISO 14001
BUREAU VERITAS
Certification

