

THREADED BALL VALVE

TECHNICAL PASSPORT

THREADED BALL VALVE FULL BORE

BS 1152A

APPLICATION

Area of use: water and air distribution.



Fluid: drinking water, water, air.

GENERAL CHARACTERISTICS

- Range : DN 1/4" to DN 4".
- Full bore, anti blow-out stem.
- Gland packing for stem tightness
- PTFE packing
- BSP connection according to ISO 228-1.

CONSTRUCTION

Pos.	Description	Material
1	Body	Nickel plated brass CW617N
2	Seat	PTFE
3	Ball	Chromed Brass
4	Bonnet	Nickel plated brass CW617N
5	Stem	Brass
6	O-ring	NBR
7	Stem packing	PTFE
8	Gland nut	Brass
9	Handle	Steel
10	Lock nut	Brass

DIMENSIONS

DN		L	L1	H	L2	Weight (kg)
inch	mm					
1/4"	8	40.6	10	42.9	87	0.13
3/8"	10	40.6	10	42.9	87	0.12
1/2"	15	47.8	11.3	47.2	87	0.18
3/4"	20	55	12	51.3	87	0.26
1"	25	66	14.3	61.9	114	0.46
1 1/4"	32	80	16.5	69.7	114	0.62
1 1/2"	40	91	17.5	79	140	0.89
2"	50	106	18.5	90.2	140	1.47
2 1/2"	65	131	24	117	224	2.68
3"	80	151.5	24.8	127.5	263	4.08
4"	100	168.8	28	135.7	262	5.84

WORKING CONDITIONS

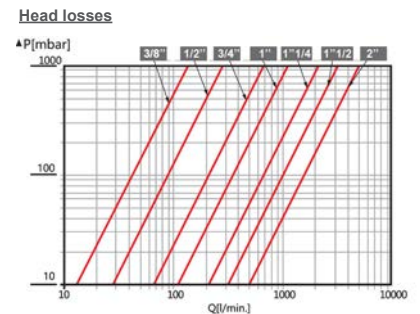
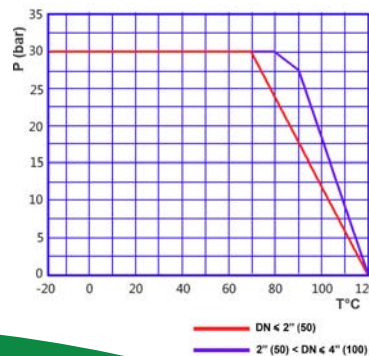
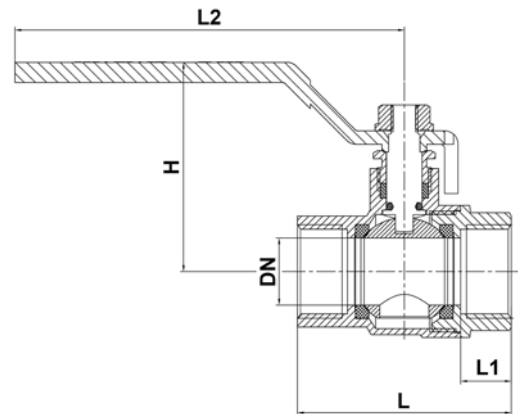
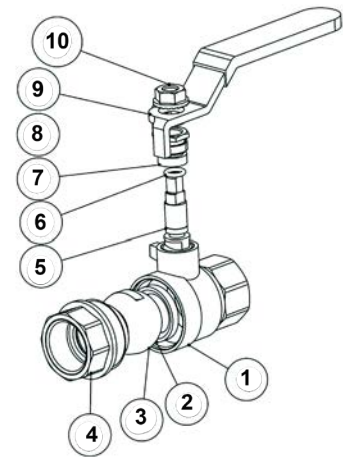
Maximum working pressure : 30 bar
(6 bar maximum for air)

Maximum working temperature: -20°C /+120°C.

PRODUCT APPROVALS



ACS



Tecofi France

83 rue Marcel Mérieux - 69960 Corbas

Tél. +33 (0)4 72 79 05 79 - Fax. +33 (0)4 78 90 19 19

E-mail : sales@tecofi.fr - www.tecofi.fr

ISO 9001
ISO 14001
BUREAU VERITAS
Certification



Page 1/1